

KOHLER®

Octave® | K-3842-1

33" top-/undermount double-bowl kitchen sink

Features

- 36" minimum base cabinet width
- Double-equal bowls
- 9" (229 mm) depth provides generous workspace
- Single faucet hole
- Includes bottom sink rack and sponge caddy



DISCONTINUED



1-800-4KOHLER (1-800-456-4537)
Kohler Co. reserves the right to make revisions without notice to product specifications.
For the most current specification sheet, go to www.kohler.com USA or www.kohler.ca Canada.
7-03-2026 05:21 - US-CA

THE BOLD LOOK
OF **KOHLER**®

Codes/Standards

ASME A112.19.3/CSA B45.4

Technical Information

All product dimensions are nominal.

Number of Deck Holes:	1
Faucet Hole(s) Size:	1-7/16" (37 mm)
Drain Hole Diameter:	3-5/8" (92 mm)
Minimum Base Cabinet Width:	36" (914 mm)
Basin Configuration:	Equal Bowls
Cutout:	Top-mount, 32-1/2" x 21-1/2" (826 mm x 546 mm) with 1/2" (13 mm) radius corners

Material

- Premium 18-gauge stainless steel
-

Recommended Products/Accessories

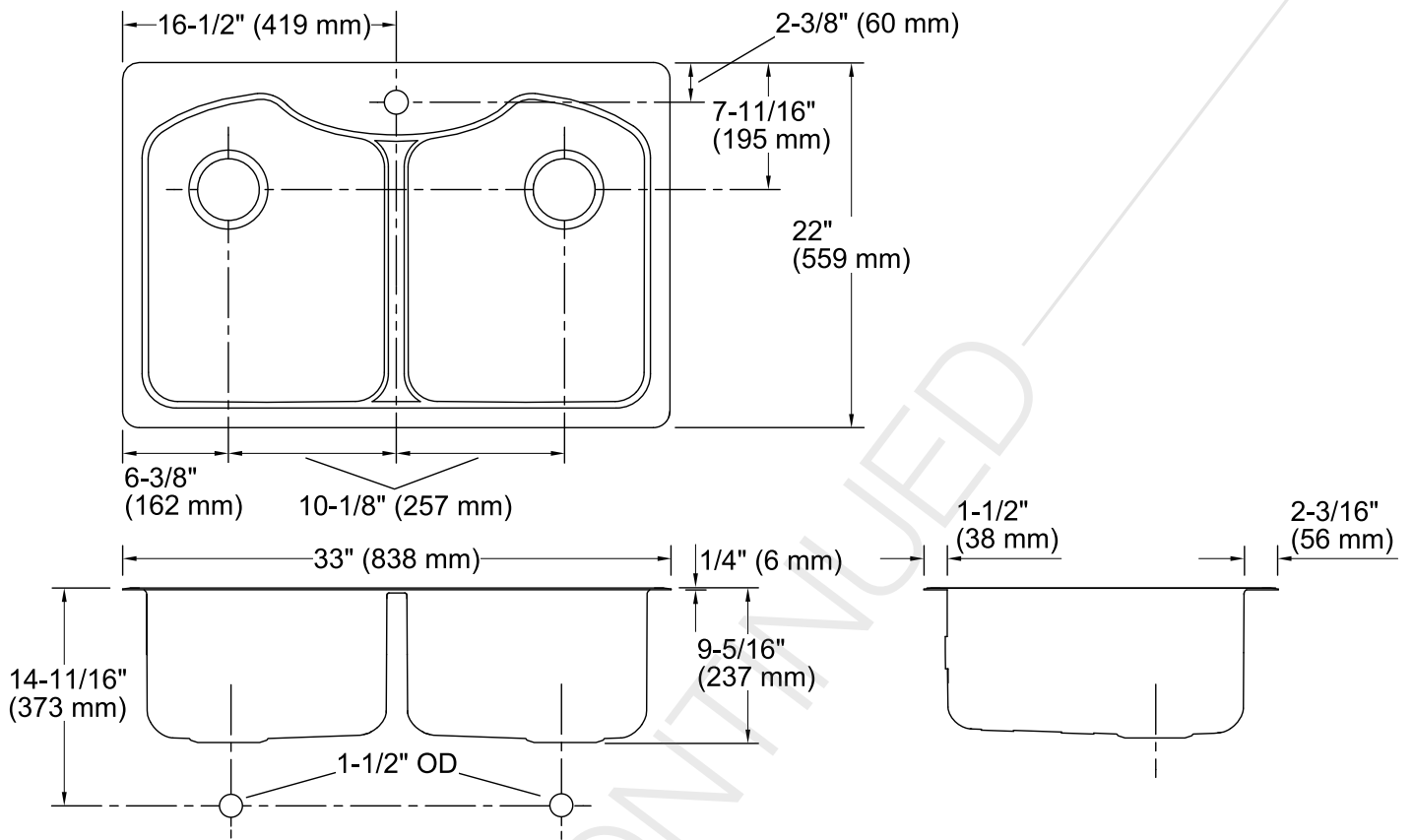
- K-23726 Drain treatment
 - K-23729 Stainless steel cleaner
 - K-8801 Sink drain and strainer with tailpiece
 - K-8799 Sink drain and strainer basket, less tailpiece
-

Warranty

See website for detailed warranty information.

KOHLER® Stainless Steel Sinks Lifetime Limited Warranty





Installation

- Dual-mount sink can be installed as top-mount or undermount
- Includes top-mount installation hardware
- Undermount installation kit not included

Installation Notes

Install this product according to the installation instructions.

