



# Claude™ by Studio McGee | K-38570

16-9/16" rectangular undermount bathroom sink

## Features

- Designed in collaboration with Studio McGee
- Ideal for 18" (457 mm)-deep vanities
- Rectangular basin
- With overflow
- No faucet holes; requires wall- or counter-mount faucet



## Available Colors/Finishes

*Color tiles intended for reference only.*

- 0 White
- NY Dune



1-800-4KOHLER (1-800-456-4537)  
Kohler Co. reserves the right to make revisions without notice to product specifications.  
For the most current specification sheet, go to [www.kohler.com](http://www.kohler.com) USA or [www.kohler.ca](http://www.kohler.ca) Canada.  
5-27-2026 20:0 - US-CA

THE BOLD LOOK  
OF **KOHLER**

---

## Codes/Standards

ADA, OBC, CSA B651 compliant when installed to the specific requirements of these regulations.

ADA   CSA B651   OBC

ASME A112.19.2/CSA B45.1

ADA

ICC/ANSI A117.1

CSA B651

OBC

---

## Technical Information

With Overflow:	Yes
Drain Hole Diameter:	2-1/2" (64 mm)
Minimum Base Cabinet Width:	16-9/16" (420 mm)
Basin Configuration:	Single Bowl

---

## Material

- Vitreous china

---

## Warranty

See website for detailed warranty information.

KOHLER® Vitreous China Bathroom Sink Lifetime Limited Warranty

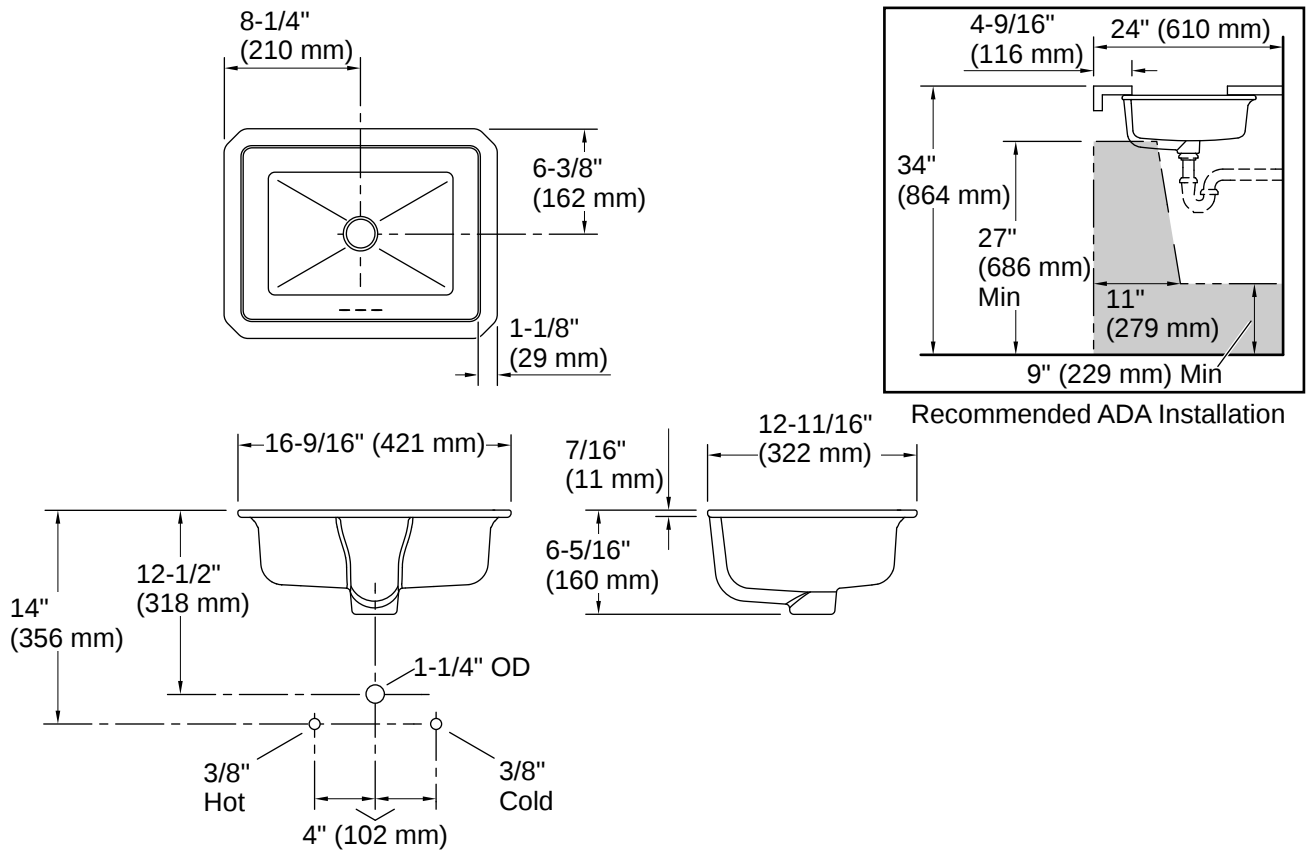


1-800-4KOHLER (1-800-456-4537)

Kohler Co. reserves the right to make revisions without notice to product specifications.

For the most current specification sheet, go to [www.kohler.com](http://www.kohler.com) USA or [www.kohler.ca](http://www.kohler.ca) Canada.

5-27-2026 20:0 - US-CA



## Installation

- Undermount

## Installation Notes

*Install this product according to the installation instructions.*

NOTICE: Countertop manufacturer or cutter must use the current product template available at [www.kohler.com](http://www.kohler.com) or by calling 1-800-4KOHLER. Kohler Co. is not responsible for cutout errors when the incorrect cut-out template is used.

ADA, OBC, CSA B651 compliant when installed to the specific requirements of these regulations.

