

KOHLER®

Cimarron®

Two-piece round-front toilet, 1.28 gpf
K-3887-RA

Features

- Two-piece design
- Round-front bowl offers an ideal solution for smaller bathrooms and powder rooms
- Comfort Height® feature offers chair-height seating that makes sitting down and standing up easier for most adults
- 1.28 gpf (4.8 lpf)
- 2-1/8" (54 mm) fully glazed trapway
- Right-hand Polished Chrome trip lever
- Combination consists of the K-4347 bowl and the K-4166 tank
- Coordinates with other products in the Cimarron collection
- Right-hand Polished Chrome trip lever
- AquaPiston® canister optimizes the flow out of the tank, harnessing gravity and the natural powerful reducing cascade of water to increase the power and effectiveness of the flush
- Easy-to-flush canister design requires less force to actuate than a 3" (76 mm) flapper, and has 90% less exposed seal material which resists conditions that cause wear, tear, shrinkage and swelling
- AquaPiston® canister optimizes the flow out of the tank, harnessing gravity and the natural powerful reducing cascade of water to increase the power and effectiveness of the flush
- Eligible for consumer rebates in some municipalities

Installation

- Seat sold separately
- Standard 12" (305 mm) rough-in
- Seat and supply line sold separately

Recommended Replacements

- This product is replaced by K-31641-RA Two-piece round-front toilet, 1.28 gpf.

Recommended Products/Accessories

K-5589 Purefresh® Deodorizing round-front toilet seat
K-76923 PureWash® M250 Quiet-Close™ round-front toilet seat with antimicrobial agent
K-5420 Low-Profile Bolt Caps
K-9466-R Right-Hand Trip Lever
1023457 Wax Ring/Hardware Kit
1265114 Connector Hose
K-23726 Drain treatment



ADA

CSA B651

OBC

Codes/Standards

ASME A112.19.2/CSA B45.1
DOE - Energy Policy Act 1992
EPA WaterSense®
California Energy Commission (CEC)
ADA
ICC/ANSI A117.1
CSA B651
OBC
IAPMO Certification

KOHLER® Toilets and Seats Limited Warranty

See website for detailed warranty information.

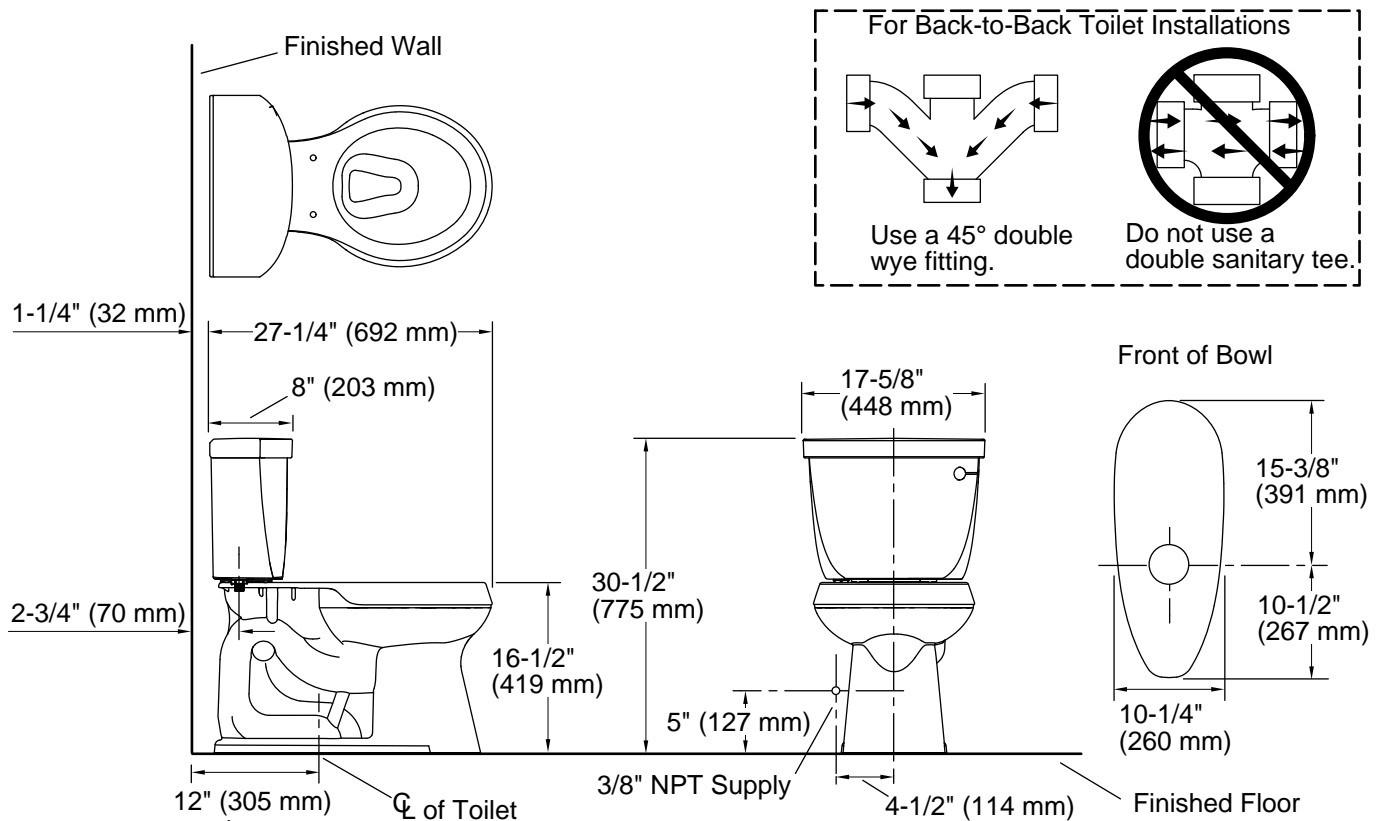
1-800-4KOHLER (1-800-456-4537)

Kohler Co. reserves the right to make revisions without notice to product specifications.

For the most current Specification Sheet, go to www.kohler.com USA or www.kohler.ca Canada

12-9-2024 23:35 - US/CA

THE BOLD LOOK
OF **KOHLER**®



Technical Information

All product dimensions are nominal.

Toilet type:	Floor-mount
Waste Outlet:	Floor
Bowl shape:	Round-front
Flush type:	AquaPiston
Trap passageway:	2-1/8" (54 mm)
Water surface size:	11" x 9-1/4" (279 mm x 235 mm)
Rim to water surface:	5-1/4" (133 mm)
Rough-in:	12" (305 mm)
Seat-mounting holes:	5-1/2" (140 mm)

Notes

Install this product according to the installation instructions.

For back-to-back toilet installations: Use only a 45° double wye fitting.

The Model Plumbing Codes require elongated toilets for public bathrooms.

ADA, OBC, CSA B651 compliant when installed to the specific requirements of these regulations.

Plumbing codes may require elongated toilets and elongated, open-front seats in public bathrooms.

Accessibility standards may require controls to be located on the open side of the toilet.