

Features

- Two-piece design
- Round-front bowl offers an ideal solution for smaller bathrooms and powder rooms
- Comfort Height® feature offers chair-height seating that makes sitting down and standing up easier for most adults
- 1.6 gpf (6.0 lpf)
- 2-1/8" (54 mm) fully glazed trapway
- Left-hand Polished Chrome trip lever
- Combination consists of the K-4347 bowl and the K-4167 tank
- Coordinates with other products in the Cimarron collection
- Easy-to-flush canister design requires less force to actuate than a 3" (76 mm) flapper, and has 90% less exposed seal material which resists conditions that cause wear, tear, shrinkage and swelling
- AquaPiston® canister optimizes the flow out of the tank, harnessing gravity and the natural powerful reducing cascade of water to increase the power and effectiveness of the flush
- AquaPiston® canister optimizes the flow out of the tank, harnessing gravity and the natural powerful reducing cascade of water to increase the power and effectiveness of the flush

Material

- Vitreous china

Installation

- Standard 12" (305 mm) rough-in
- DryLock® system saves installation time and helps prevent water leakage
- Seat and supply line sold separately

Recommended Products/Accessories

K-5589 Purefresh® Deodorizing round-front toilet seat
K-76923 PureWash® M250 Quiet-Close™ round-front toilet seat with antimicrobial agent
K-5420 Low-Profile Bolt Caps
K-9466-L Left-Hand Trip Lever
K-9470-L Left-Hand Trip Lever
1023457 Wax Ring/Hardware Kit
1265114 Connector Hose
K-23726 Drain treatment

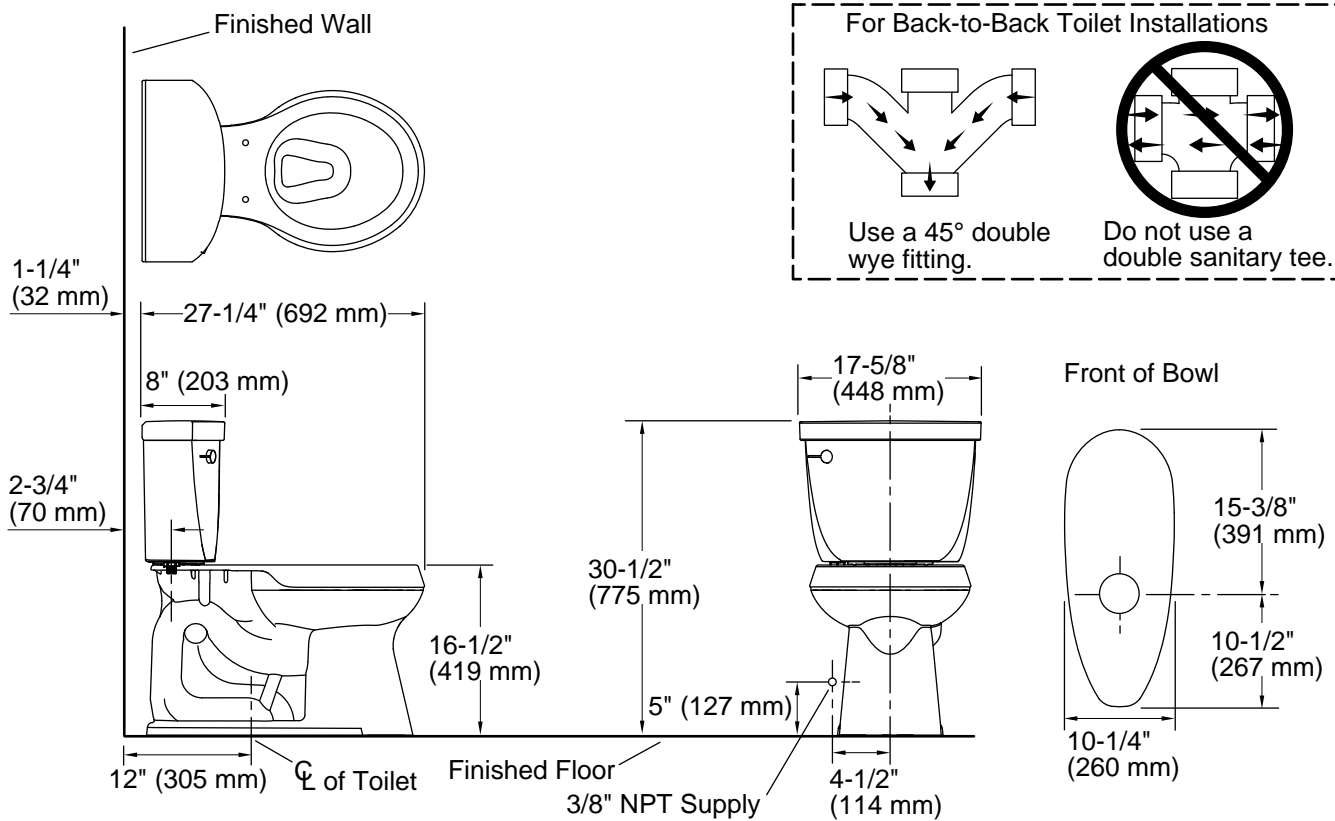


Codes/Standards

ASME A112.19.2/CSA B45.1
DOE - Energy Policy Act 1992
IAPMO Certification

KOHLER® Toilets and Seats Limited Warranty

See website for detailed warranty information.



Technical Information

All product dimensions are nominal.

Toilet type:	Floor-mount
Waste Outlet:	Floor
Bowl shape:	Round-front
Flush type:	AquaPiston
Trap passageway:	2-1/8" (54 mm)
Water surface size:	11" x 8-3/4" (279 mm x 222 mm)
Rim to water surface:	5-1/4" (133 mm)
Rough-in:	12" (305 mm)
Seat-mounting holes:	5-1/2" (140 mm)

Notes

Install this product according to the installation instructions.

For back-to-back toilet installations: Use only a 45° double wye fitting.