

Features

- 27" (686 mm) minimum base cabinet width
- Single bowl
- 6" (152 mm) depth
- Rear drain placement increases cabinet storage space underneath sink
- Includes installation hardware
- Three faucet holes and one accessory hole to the right

Material

- Handcrafted from 18-gauge stainless steel
- Premium 18-gauge stainless steel

Installation

- For undermount installation, countertop thickness cannot be greater than 1" (25 mm) for ADA compliance
- Top-mount or undermount

Recommended Products/Accessories

- K-8801 Sink drain and strainer with tailpiece
- K-8799 Sink drain and strainer basket
- K-23726 Drain treatment
- K-23729 Stainless steel cleaner

Optional Products/Accessories

- 1177161 Installation Clip Kit
- K-11352 Disposal Flange with Stopper

Included Components

- 1130570 Hardware Kit, Self-Rimming



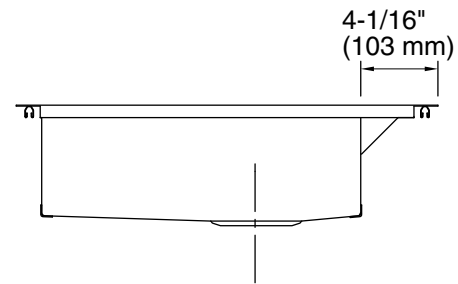
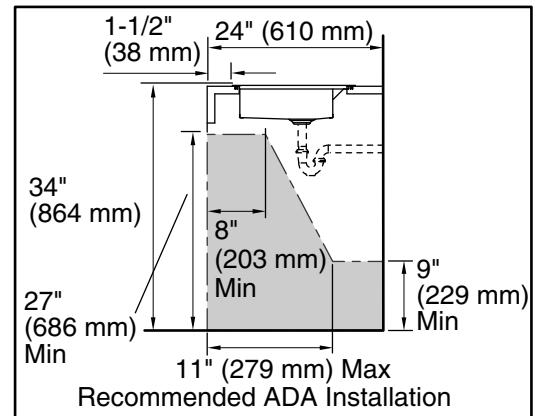
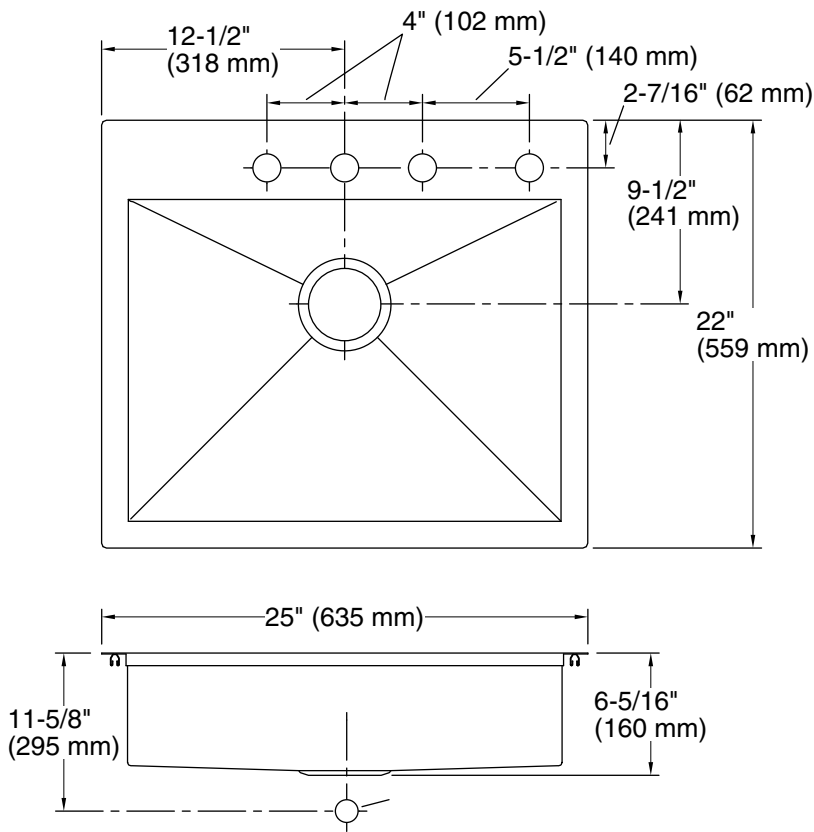
ADA

Codes/Standards

ASME A112.19.3/CSA B45.4
ADA
ICC/ANSI A117.1

KOHLER® One-Year Limited Warranty

See website for detailed warranty information.



Technical Information

All product dimensions are nominal.

Basin configuration: Single Bowl

Center(s): 8" (203 mm)

Min. base cabinet width: 27" (686 mm)

Bowl area (Only):
Length: 22-1/4" (565 mm)
Width: 16-9/16" (420 mm)
Bowl depth: 6" (152 mm)
Water depth: 6" (152 mm)

Number of deck holes: 4

Faucet hole(s): 1-7/16" (37 mm)

Soap/Lotion hole: 1-7/16" (37 mm)

Drain hole: 3-3/4" (94 mm)

Template: 1130822-7, required, included

Notes

Install this product according to the installation instructions.

Hardware Kit 1177161 needed for countertops with a 2-1/2" (64 mm) thickness or less.

For under-mount installation, counter top thickness can not be greater than 1" (25 mm) for ADA compliance.

ADA compliant when installed to the specific requirements of these regulations.