

Features

- Compact, streamlined one-piece smart toilet with integrated personal cleansing
- Elongated bowl offers added room and comfort
- Comfort Height® feature offers chair-height seating that makes sitting down and standing up easier for most adults
- Motion-activated, hands-free opening/closing of seat and cover
- Dual-flush offers a choice of 0.6 or 1.28 gpf (2.2 or 4.8 lpf)
- Advanced bidet functionality with self-cleaning wand, precision air dryer, and deodorizing filter all in one
- Heated seat and foot warmer
- Ambient lighting with eight colors and three programming options
- Touch-screen remote control with magnetic wall-mount docking/charging station
- Built-in speakers play preprogrammed custom Numi song, FM radio, or your personalized music from a portable device via BLUETOOTH® or auxiliary cable, or simply load a playlist or welcome message to the SD card
- Power-Save mode monitors usage and adjusts heated seat settings to save energy
- Emergency flush supports up to 100 flushes during power outage
- 2-7/8" (73 mm) trapway
- Requires Numi Premium or Standard Remote Control (sold separately)
- Dual-flush technology allows you to choose between a full or partial flush
- Syncs with devices enabled with BLUETOOTH® wireless technology including smartphones, MP3 players, tablets, and laptops located up to 33 feet (10 meters) away

Installation

- Standard 12" (305 mm) rough-in
- Requires a supply stop with 1/2" OD compression male outlet thread
- A drain line grade of ¼ per foot minimum is required
- Includes: Supply line, block mounting kit, and inlet hose kit

Recommended Products/Accessories

K-23726 Drain treatment



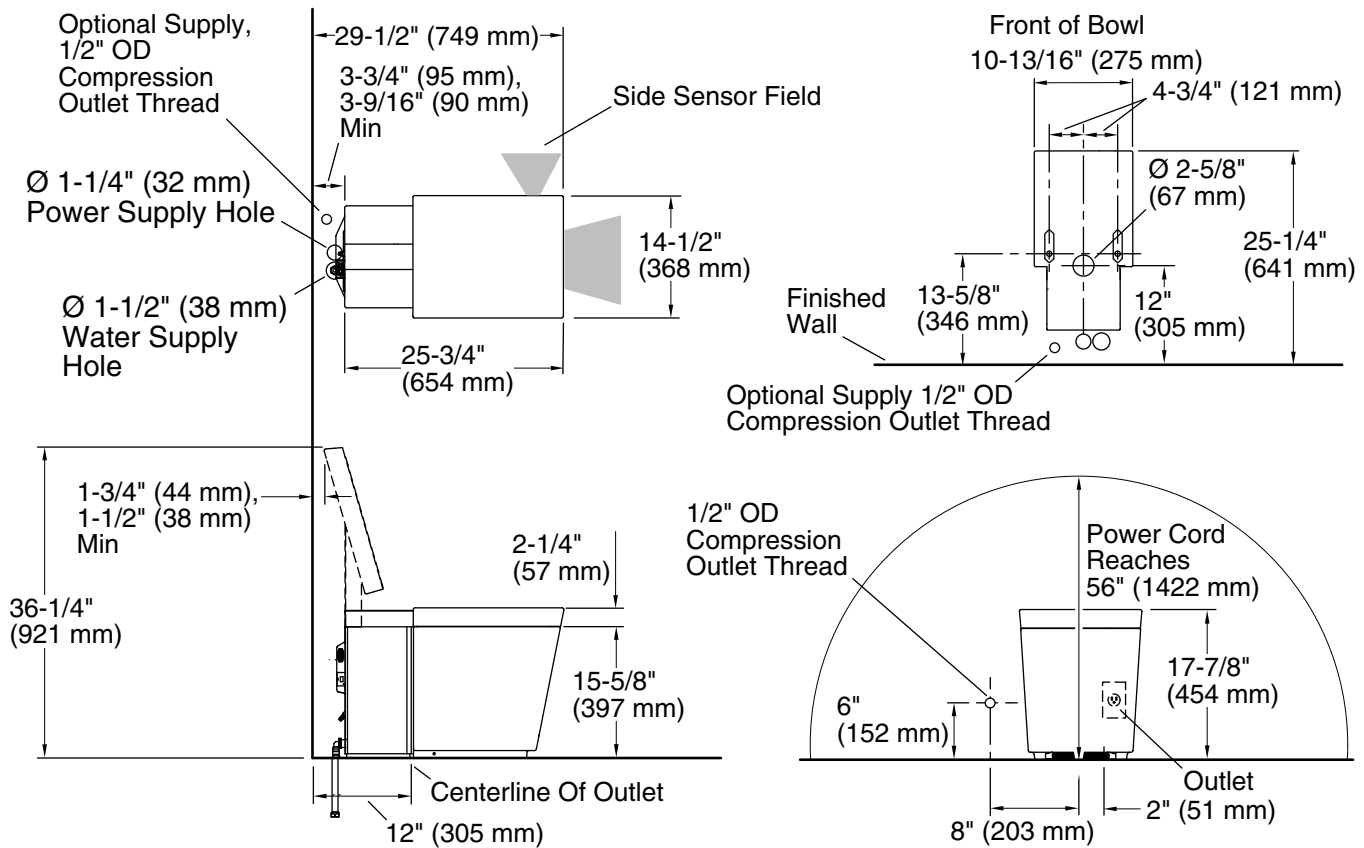
Codes/Standards

ASME A112.19.14
ASME A112.4.2/CSA B45.16
ASME A112.19.2/CSA B45.1
DOE - Energy Policy Act 1992
EPA WaterSense®
California Energy Commission (CEC)
UL 1951
CSA C22.2 No. 14
CSA C22.2 No. 68
IAPMO Certification
cUL Listed
UL Listed

KOHLER® Intelligent Toilet and C3® Cleansing Seat Three-Year Limited Warranty

See website for detailed warranty information.

The BLUETOOTH® word mark and logos are registered trademarks owned by Bluetooth SIG, Inc. and any use of such marks by Kohler Co. is under license. Other trademarks and trade names are those of their respective owners.



Required Electrical Service

One dedicated circuit required, protected with Class A Ground-Fault Circuit-Interrupter (GFCI). Outside North America, this device may be known as a Residual Current Device (RCD).

120 V, 15 A, 60 Hz

Technical Information

All product dimensions are nominal.

Toilet type:	Floor-mount
Waste Outlet:	Floor
Bowl shape:	Elongated
Flush type:	Dual-Flush Technology
Trap passageway:	2-7/8" (73 mm)
Water surface size:	10" x 8-1/4" (254 mm x 210 mm)
Rim to water surface:	5-1/2" (140 mm)
Rough-in:	12" (305 mm)

Fixture Supply Requirements

Min static pressure: 30 psi (206.8 kPa)

Max static pressure: 80 psi (551.6 kPa)

1-800-4KOHLER (1-800-456-4537)

Kohler Co. reserves the right to make revisions without notice to product specifications.

For the most current Specification Sheet, go to www.kohler.com USA or www.kohler.ca Canada

8-12-2024 22:01 - US/CA

Notes

Install this product according to the installation instructions.

IMPORTANT! Use the supply hoses provided with the fixture. Do not reuse the previously installed hoses.

Installation of a water hammer arrestor is recommended.

Install the docking station cord, when premium remote control is included, before installing the finished wall.

The supplied water inlet hose requires a supply stop with a 1/2" OD compression male outlet thread.

If local codes require the toilet be bolted to the flange, order kit 1171368 for required hardware and instructions.

Can be installed with water and electrical supplies attached to the back wall or through the floor. See roughing-in illustration for details.

Adjust the through-the-floor installation as