

## Features

- 36" minimum base cabinet width
- Single bowl
- 9" (229 mm) depth provides generous workspace
- Self-Trimming® apron overlaps cabinet face for easy installation and beautiful results
- Apron height allows sink to be used in most standard cabinetry or retrofitted to existing standard cabinetry
- Three faucet holes
- Rear drain placement increases cabinet storage space underneath sink
- Includes installation hardware and compatibility template

## Material

- Handcrafted from 18-gauge stainless steel
- Premium 18-gauge stainless steel

## Installation

- Top-mount

## Recommended Products/Accessories

- K-6474 Sink Rack
- K-8801 Sink drain and strainer with tailpiece
- K-8799 Sink drain and strainer basket
- K-23726 Drain treatment
- K-23729 Stainless steel cleaner

## Optional Products/Accessories

- K-6429 Utility Rack
- K-11352 Disposal Flange with Stopper

## Included Components

- 1130570 Hardware Kit, Self-Rimming
- 1173293 Hardware Kit, Side Clip

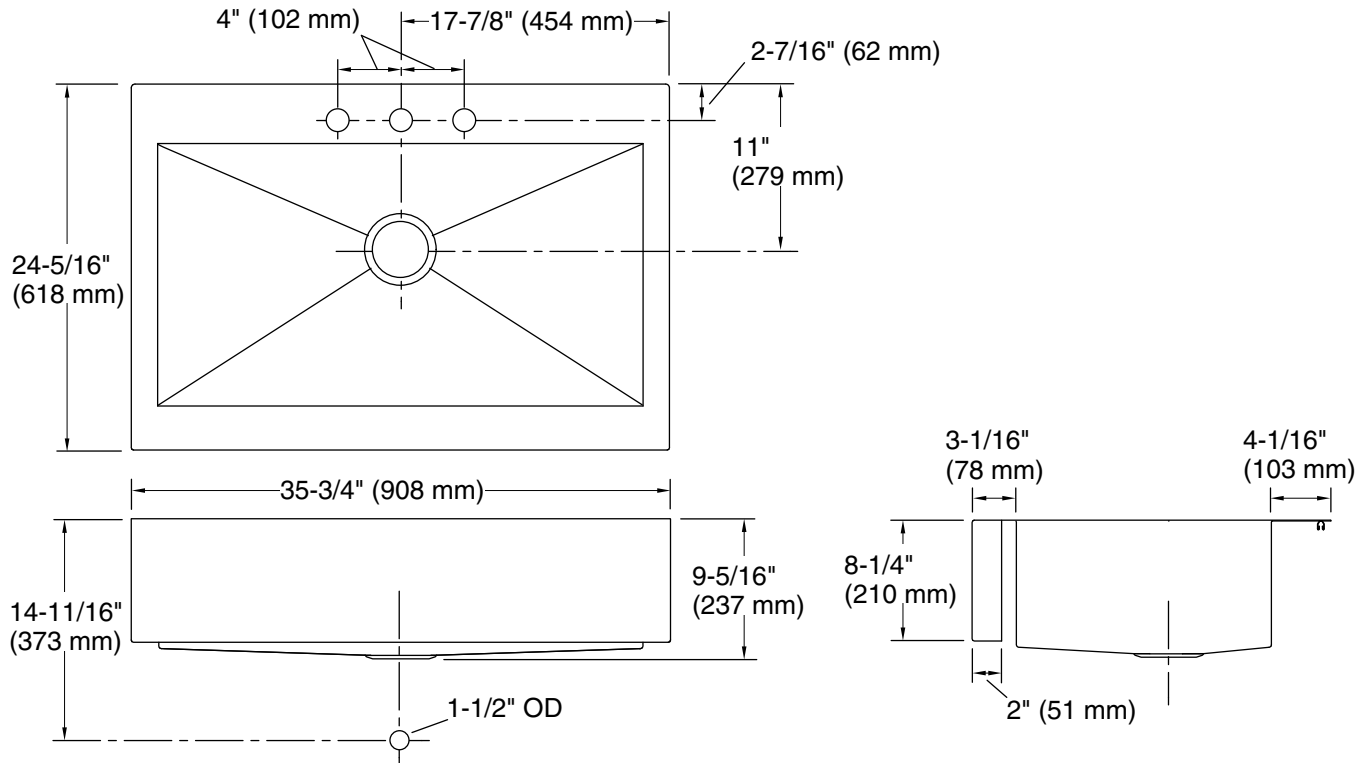


## Codes/Standards

ASME A112.19.3/CSA B45.4  
IAPMO Certification

## KOHLER® Stainless Steel Sinks Lifetime Limited Warranty

See website for detailed warranty information.



## Technical Information

All product dimensions are nominal.

Bowl configuration:	Single
Min. base cabinet width:	36" (914 mm)
Bowl area (Only):	Length: 32-1/2" (826 mm) Width: 17-3/16" (437 mm) Bowl depth: 9" (229 mm)
Number of deck holes:	3
Faucet hole(s):	1-7/16" (37 mm)
Drain hole:	3-5/8" (92 mm)
Template:	1166717-7, required, included 1178341, required, included

## Notes

Install this product according to the installation instructions.

**NOTICE:** Countertop manufacturer or cutter must use the cut-out template provided with the product, or a current one provided by Kohler Co. (call 1-800-4-KOHLER). Kohler Co. is not responsible for cutout errors when the incorrect cut-out template is used.

**IMPORTANT!** The distance from the top edge of the cabinet to the top of the cabinet door must be at least 8-3/8" (213 mm) to install this sink.