

Features

- Modern chevron design
- Matte finish complements any decor
- Factory-machined edges provide a finished look for walls without the need for trim
- Durable, nonporous walls are easy to clean and maintain
- Can be installed over existing bathing/showering walls for easy renovation projects
- Available in several distinct textures, each thoughtfully designed in a transitional style that blends classic and contemporary aesthetics
- Offered in a wide range of sizes to accommodate many design layouts and room dimensions
- Coordinates with other products in the Stoneridge™ collection

Material

- KOHLER® engineered stone

Installation

- Field trimmable
- For residential and hospitality use



Codes/Standards

None Applicable

KOHLER® Cultured Marble Walls and Accessories Five-Year Limited Warranty

See website for detailed warranty information.

Available Colors/Finishes

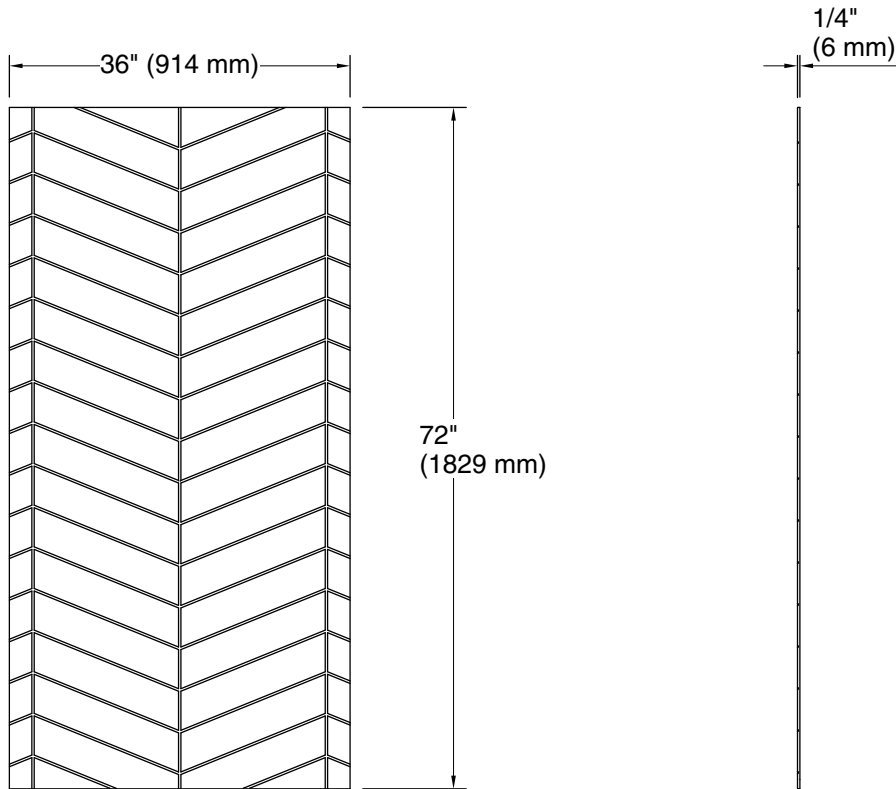
Color tiles intended for reference only.

| Color | Code | Description |
|-------|------|-------------|
|-------|------|-------------|

| | | |
|---|-----|-------------|
|  | HW1 | Honed White |
|---|-----|-------------|



Stoneridge™
72" x 36" right bath/shower end wall with chevron
design
K-39428-T09R



Technical Information

All product dimensions are nominal.

Weight: 45.39 lbs (20.6 kg)

Notes

Measure your actual product for rough-in details.

Install this product according to the installation instructions.