

## Features

- 36" minimum base cabinet width
- Large/medium bowls
- 9" (229 mm) depth provides generous workspace
- Short apron allows sink to be used in most standard cabinetry or retrofitted to existing standard cabinetry
- Self-Trimming® apron overlaps cabinet face for easy installation and beautiful results
- Smart Divide® feature offers a lower bowl divider that increases workspace versatility
- Rear drain placement increases cabinet storage space underneath sink
- Includes installation hardware and bottom sink rack

## Material

- Handcrafted from 18-gauge stainless steel
- Premium 18-gauge stainless steel

## Installation

- Undermount

## Recommended Products/Accessories

- K-6476 Sink Rack
- K-6477 Sink Rack
- K-8801 Sink drain and strainer with tailpiece
- K-8799 Sink drain and strainer basket
- K-23726 Drain treatment
- K-23729 Stainless steel cleaner

## Optional Products/Accessories

- K-6434 Saddle Utility Rack
- K-11352 Disposal Flange with Stopper

## Included Components

- K-6476 Sink Rack
- 91915 Hardware Kit

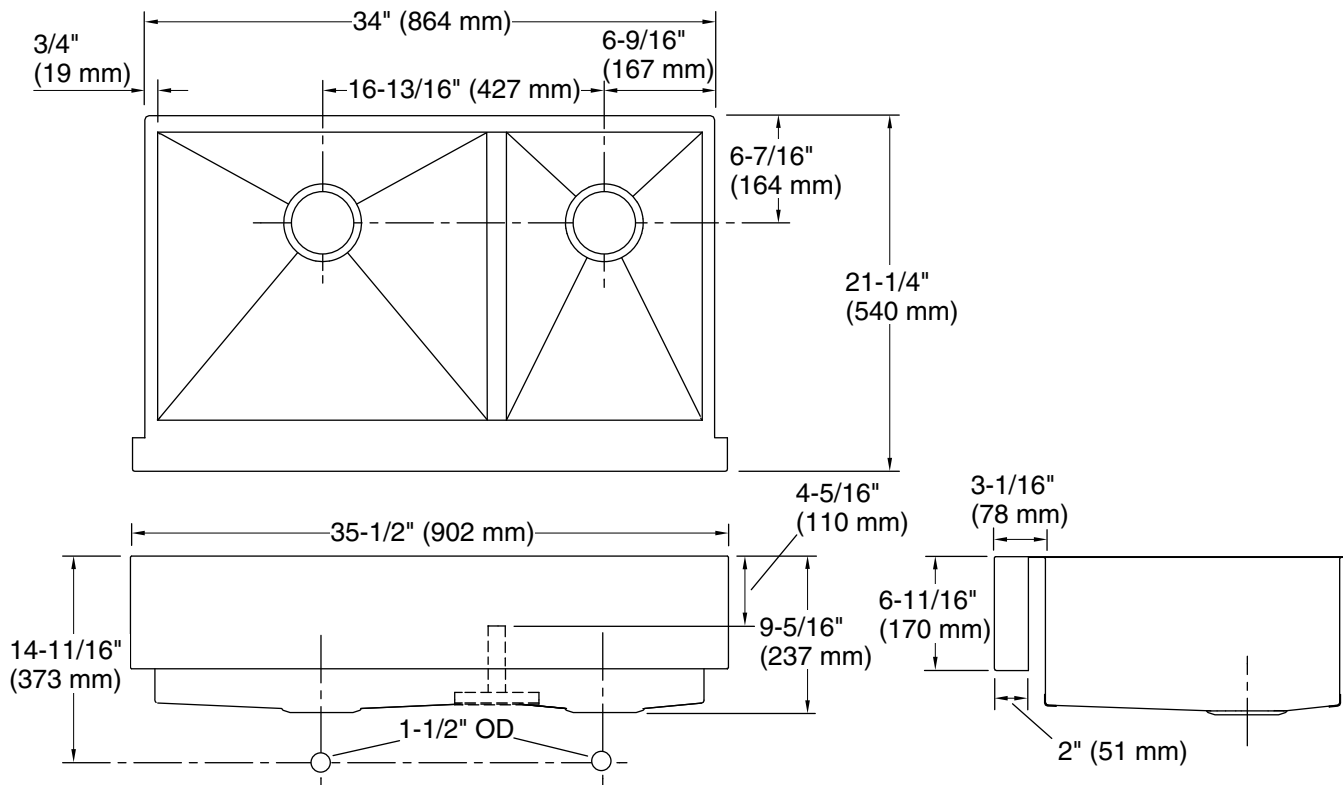


## Codes/Standards

ASME A112.19.3/CSA B45.4  
IAPMO Certification

## KOHLER® Stainless Steel Sinks Lifetime Limited Warranty

See website for detailed warranty information.



## Technical Information

All product dimensions are nominal.

Basin configuration: Large Bowl on Left

Min. base cabinet width: 36" (914 mm)

Bowl area (Left): Length: 19-11/16" (500 mm)  
Width: 17-3/16" (437 mm)  
Bowl depth: 9" (229 mm)

Bowl area (Right): Length: 11-11/16" (297 mm)  
Width: 17-3/16" (437 mm)  
Bowl depth: 9" (229 mm)

Drain hole: 3-11/16" (94 mm)

Template: 1166719-7, required, included

## Notes

Install this product according to the installation instructions.

The 3/4" (19 mm) side rim flanges are supported without using the clip attachment. See the installation guide for further instructions.