

KOHLER®

Memoirs® Classic

Two-piece round-front toilet, 1.28 gpf
K-3986-RA

Features

- Two-piece design
- Round-front bowl offers an ideal solution for smaller bathrooms and powder rooms
- Comfort Height® feature offers chair-height seating that makes sitting down and standing up easier for most adults
- Right-hand Polished Chrome trip lever
- Combination consists of the K-4387 bowl and the K-4433 tank
- Coordinates with other products in the Memoirs collection with Classic design
- Easy-to-flush canister design requires less force to actuate than a 3" (76 mm) flapper, and has 90% less exposed seal material which resists conditions that cause wear, tear, shrinkage and swelling
- Eligible for consumer rebates in some municipalities
- 1.28 gpf (4.8 lpf)
- 2-1/8" (54 mm) fully glazed trapway
- AquaPiston® canister optimizes the flow out of the tank, harnessing gravity and the natural powerful reducing cascade of water to increase the power and effectiveness of the flush

Installation

- Seat and supply line sold separately

Recommended Products/Accessories

K-5589 Purefresh® Deodorizing round-front toilet seat
K-76923 PureWash® M250 Quiet-Close™ round-front toilet seat with antimicrobial agent
K-5420 Low-Profile Bolt Caps
K-9167-R Trip Lever
1023457 Wax Ring/Hardware Kit
1265114 Connector Hose
K-23726 Drain treatment

Included Components

K-4387 Round-front bowl with concealed trapway



ADA

Codes/Standards

ASME A112.19.2/CSA B45.1
DOE - Energy Policy Act 1992
EPA WaterSense®
ADA
ICC/ANSI A117.1
IAPMO Certification

KOHLER® Toilets and Seats Limited Warranty

See website for detailed warranty information.

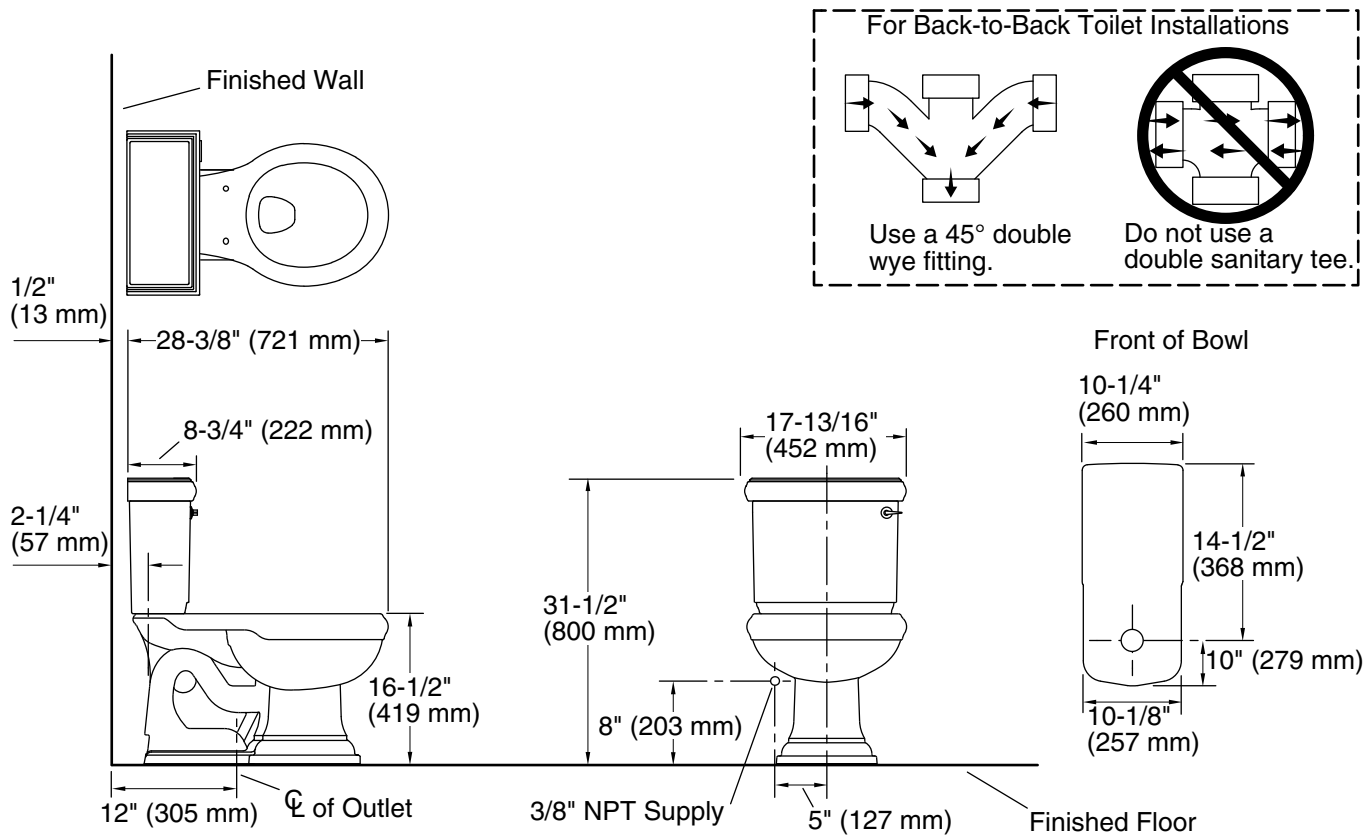
1-800-4KOHLER (1-800-456-4537)

Kohler Co. reserves the right to make revisions without notice to product specifications.

For the most current Specification Sheet, go to www.kohler.com USA or www.kohler.ca Canada

7-10-2024 23:42 - US

THE BOLD LOOK
OF **KOHLER**®



Technical Information

All product dimensions are nominal.

Toilet type:	Floor-mount
Waste Outlet:	Floor
Bowl shape:	Round-front
Flush type:	AquaPiston
Trap passageway:	2-1/8" (54 mm)
Water surface size:	11-1/2" x 8-3/4" (292 mm x 222 mm)
Rim to water surface:	6-1/8" (156 mm)
Rough-in:	12" (305 mm)
Seat-mounting holes:	5-1/2" (140 mm)

Notes

Install this product according to the installation instructions.

For back-to-back toilet installations: Use only a 45° double wye fitting.

ADA compliant when installed to the specific requirements of these regulations.

Plumbing codes may require elongated toilets and elongated, open-front seats in public bathrooms.

Accessibility standards may require controls to be located on the open side of the toilet.