

Features

- Quarter-turn washerless ceramic disc valves
- 5-3/16" (132 mm) spout reach
- Vandal-resistant laminar outlet
- Lever handle
- Less drain
- 0.5 gpm (1.9 lpm) maximum flow rate at 60 psi (4.14 bar)

Material

- Brass
- Brass valve bodies

Recommended Products/Accessories

K-23723 Faucet cleaner

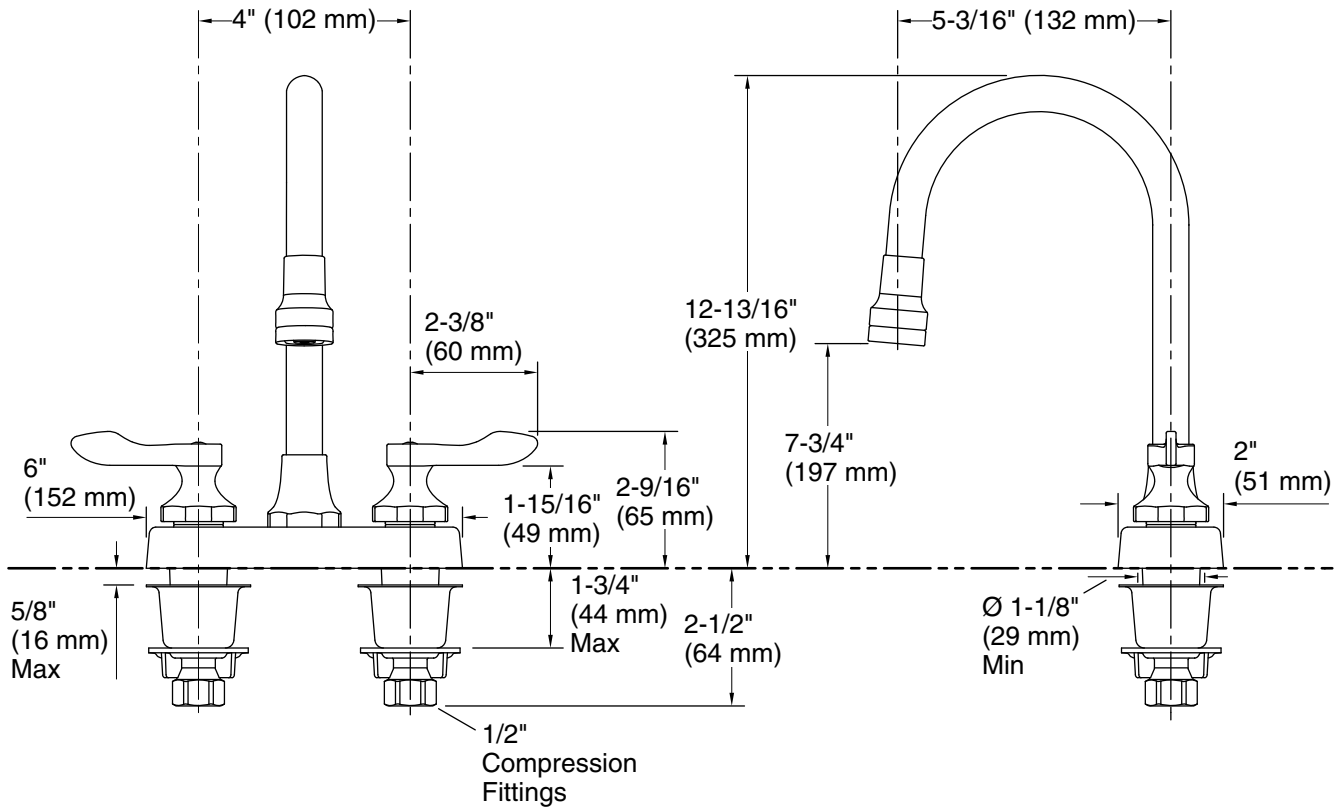


Codes/Standards

ASME A112.18.1/CSA B125.1
NSF/ANSI/CAN 61
NSF/ANSI/CAN 372
All applicable US Federal and State material regulations
DOE - Energy Policy Act 1992
California Energy Commission (CEC)
IAPMO Certification

KOHLER[®] One-Year Limited Warranty

See website for detailed warranty information.



Technical Information

All product dimensions are nominal.

Faucet:

Flow rate: 0.5 gal/min (1.9 l/min)

Drain included: No

Spout:

Spout reach: 5-3/16" (132 mm)

Handshower:

Rated maximum flow: 0 gal/min (0 l/min)

Notes

Install this product according to the installation guide.