

**Features**

- Activation distance is factory-set
- Chloramine and chlorine resistance on all rubber components exposed to waterway
- Engineered for optimal performance with KOHLER® commercial fixtures
- 125-micron filter protects internal components
- No external flush volume adjustment ensures water conservation
- 24-hour automatic sentinel flush keeps trapway fresh
- Mechanical override enables flushometer to be used manually even during a power outage
- Powered by a 30 year/875,000 cycle hybrid energy cell, based on 72 uses per day
- Less stop valve and tailpiece

**Material**

- Brass construction with durable Polished Chrome finish

**Technology**

- Flushometer activates when hand is waved over electronic infrared WAVE sensor
- Patented piston technology for superior flush volume accuracy

**Installation**

- Intended for urinal installations with 3/4" (19 mm) top spud coupling connection

**Recommended Products/Accessories**

- K-23723 Faucet cleaner
- 1421939 Flushometer Arm Extension Kit
- 1509698 Pressure Gauge Kit, 1/8"

**Optional Products/Accessories**

- GP1118986 Flushometer Extension Kit
- K-10313 Flushometer 12" rough-in kit



**ADA** **CSA B651** **OBC**

**Codes/Standards**

ASME A112.18.1/CSA B125.1  
 ASSE 1037/ASME A112.1037/CSA B125.37  
 ADA  
 ICC/ANSI A117.1  
 CSA B651  
 OBC  
 IAPMO Certification

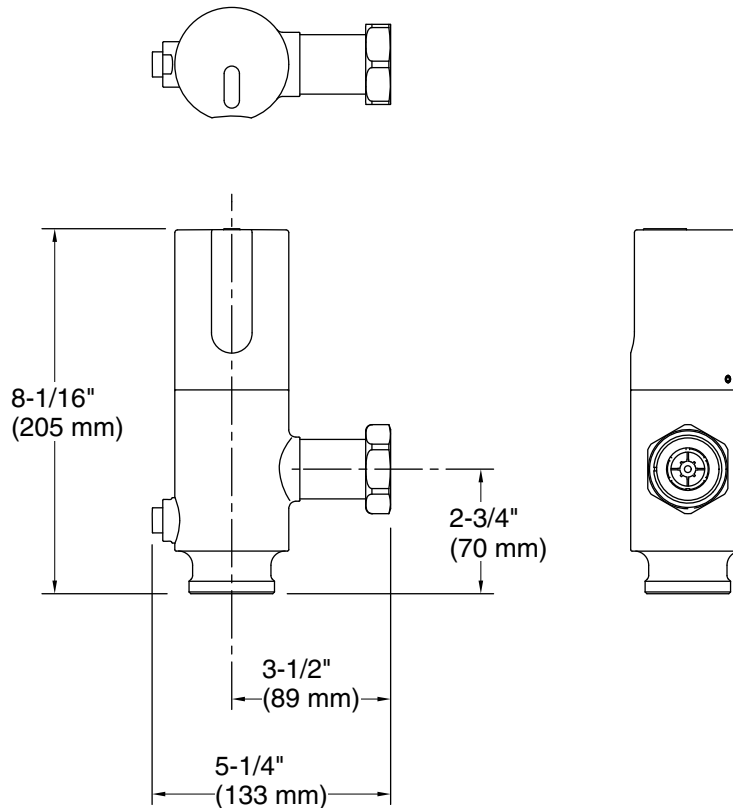
**KOHLER® One-Year Limited Warranty**

See website for detailed warranty information.

**Available Colors/Finishes**

*Color tiles intended for reference only.*

Color	Code	Description
	CP	Polished Chrome



**Technical Information**

All product dimensions are nominal.

Power source: Hybrid Energy Cell, not included  
 Drain included: No

**Handshower:**

Rated maximum flow: 0 gal/min (0 l/min)

**Pressure/fixture Supply Requirements**

Fixture pressure max (static): 80 psi (551.6 kPa)  
 Fixture pressure min (static): 25 psi (172.4 kPa)  
 Min flowing pressure: 25 psi (172.4 kPa)  
 Min flow rate: 25 gpm (94.6 lpm)

**Notes**

Install this product according to the installation instructions.

ADA, OBC, CSA B651 compliant when installed to the specific requirements of these regulations.