



Primary™
Elongated toilet bowl
K-4384

Features

- Elongated bowl offers added room and comfort
- Includes toilet seat with scalloped handhold locations
- Available with white, primary yellow, primary red, or primary blue colored seats
- 1-1/2" (38 mm) top spud
- 1.28 gpf (4.8 lpf)
- 12-3/8" (314 mm) x 10-1/8" (257 mm) water area

Material

- Vitreous china

Installation

- 10" (254 mm) rough-in



ADA

CSA B651

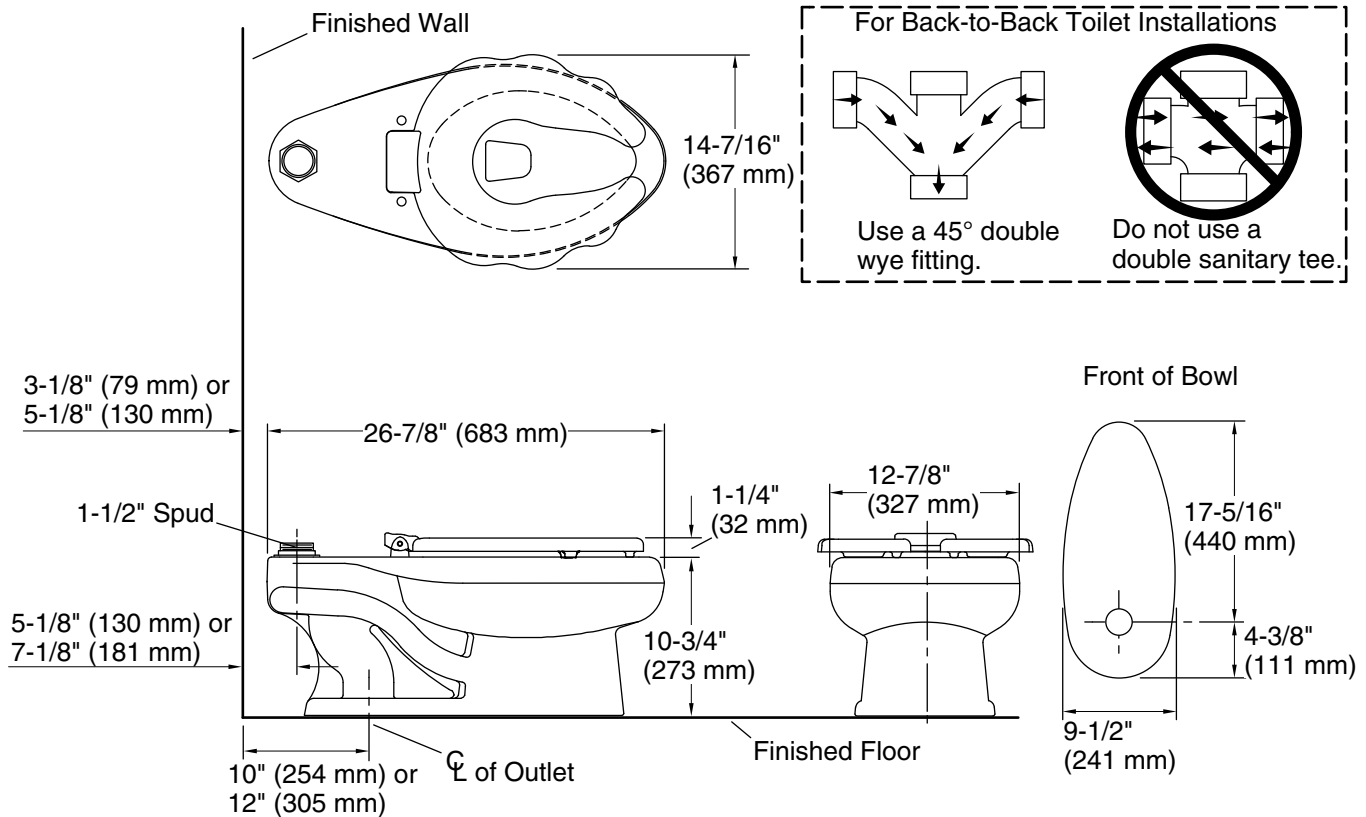
OBC

Codes/Standards

ASME A112.19.2/CSA B45.1
DOE - Energy Policy Act 1992
ADA
ICC/ANSI A117.1
CSA B651
OBC

**KOHLER® One-Year Limited
Warranty**

See website for detailed warranty information.



Technical Information

All product dimensions are nominal.

Toilet type:	Floor-mount
Waste Outlet:	Floor
Bowl shape:	Elongated
Spud size:	1-1/2", Inlet, Top
Trap passageway:	2-1/8" (54 mm)
Water surface size:	12-3/8" x 10-1/8" (314 mm x 257 mm)
Rim to water surface:	4-1/4" (108 mm)
Rough-in:	10" (254 mm)
Seat-mounting holes:	5-1/2" (140 mm)

Notes

Install this product according to the installation instructions.

Refer to manufacturer's instructions and local codes for flushometer requirements.

For back-to-back toilet installations: Use only a 45° double wye fitting.

ADA, OBC, CSA B651 compliant when installed to the specific requirements of these regulations.

Plumbing codes may require elongated toilets and elongated, open-front seats in public bathrooms.

Accessibility standards may require controls to be located on the open side of the toilet.