



# Anglesey™

Top spud flushometer bowl with integral seat  
K-4388

## Features

- 1-1/2" (38 mm) top spud
- Elongated bowl offers added room and comfort
- 4-1/2" (114 mm) rough-in
- Includes integral seat, angle back, and wall outlet

## Installation

- Designed for use in prisons and mental healthcare facilities.  
Not anti-ligature



## Codes/Standards

ASME A112.19.2/CSA B45.1


## KOHLER® One-Year Limited Warranty

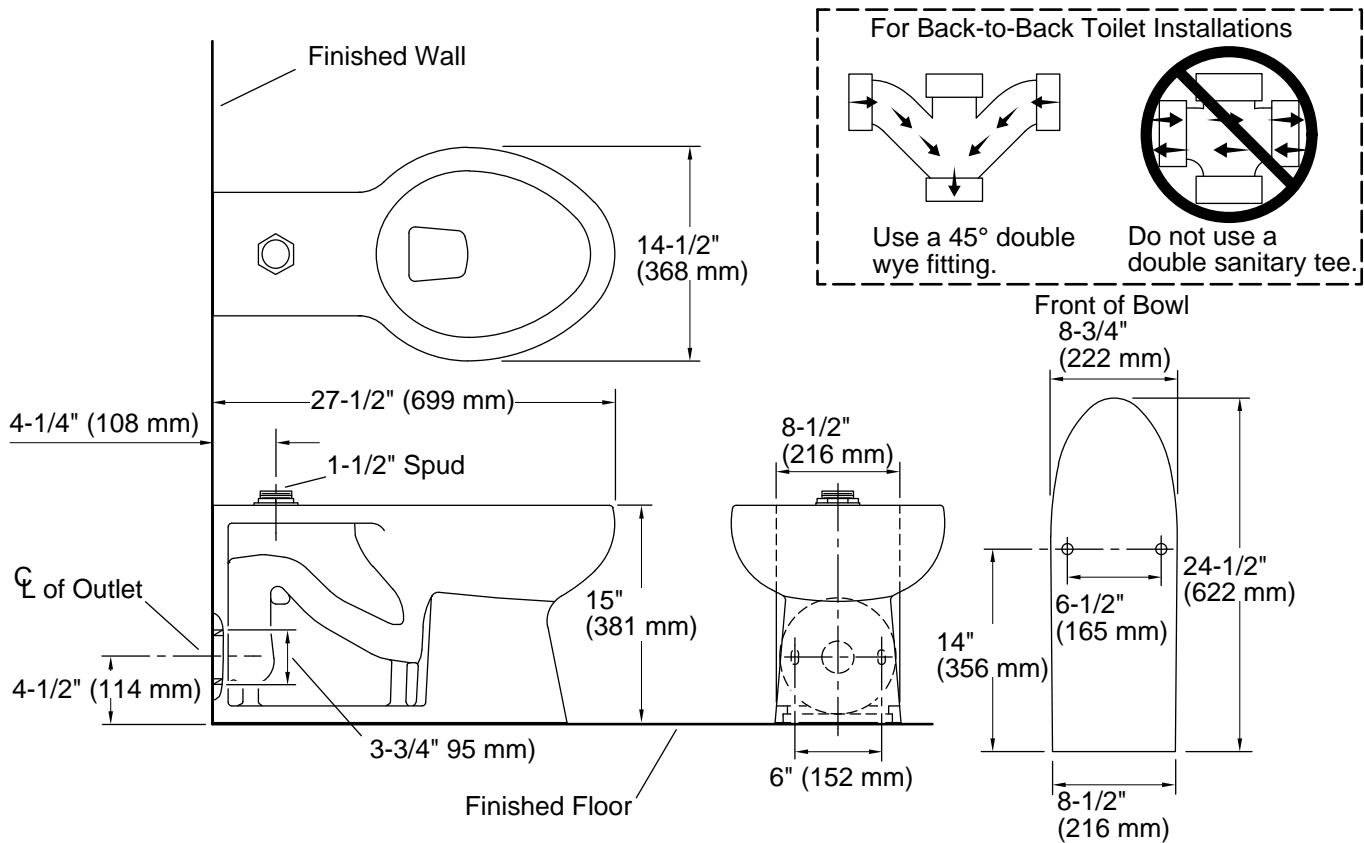
See website for detailed warranty information.

## Available Colors/Finishes

*Color tiles intended for reference only.*

Color	Code	Description
-------	------	-------------

	0	White
---	---	-------



### Technical Information

All product dimensions are nominal.

Toilet type:	Floor-mount
Bowl shape:	Elongated
Spud size:	1-1/2", Top
Trap passageway:	2-1/2" (63 mm)
Water surface size:	11" x 9-1/2" (279 mm x 241 mm)
Rim to water surface:	5-1/4" (133 mm)
Rough-in:	4-1/2" (114 mm)
Seat-mounting holes:	5-1/2" (140 mm)

### Fixture Supply Requirements

Min static pressure:	35 psi (241.3 kPa)
Max static pressure:	80 psi (551.6 kPa)
Min flowing pressure:	25 psi (172.4 kPa)
Min flow rate:	25 gpm (94.6 lpm)

### Notes

Install this product according to the installation instructions.