

Features

- Elongated bowl offers added room and comfort
- Angle back and wall outlet
- Integral seat
- 4-1/2" (114 mm) rough-in
- 1-1/2" (38 mm) rear spud
- 2-3/8" (60 mm) passageway
- 11" (279 mm) x 9-1/2" (241 mm) water area
- 1.6 gpf (6.0 lpf)

Material

- Vitreous china

Installation

- Designed for use in prisons and mental healthcare facilities.
Not anti-ligature



Codes/Standards

ASME A112.19.2/CSA B45.1
DOE - Energy Policy Act 1992
IAPMO Certification

KOHLER® One-Year Limited Warranty

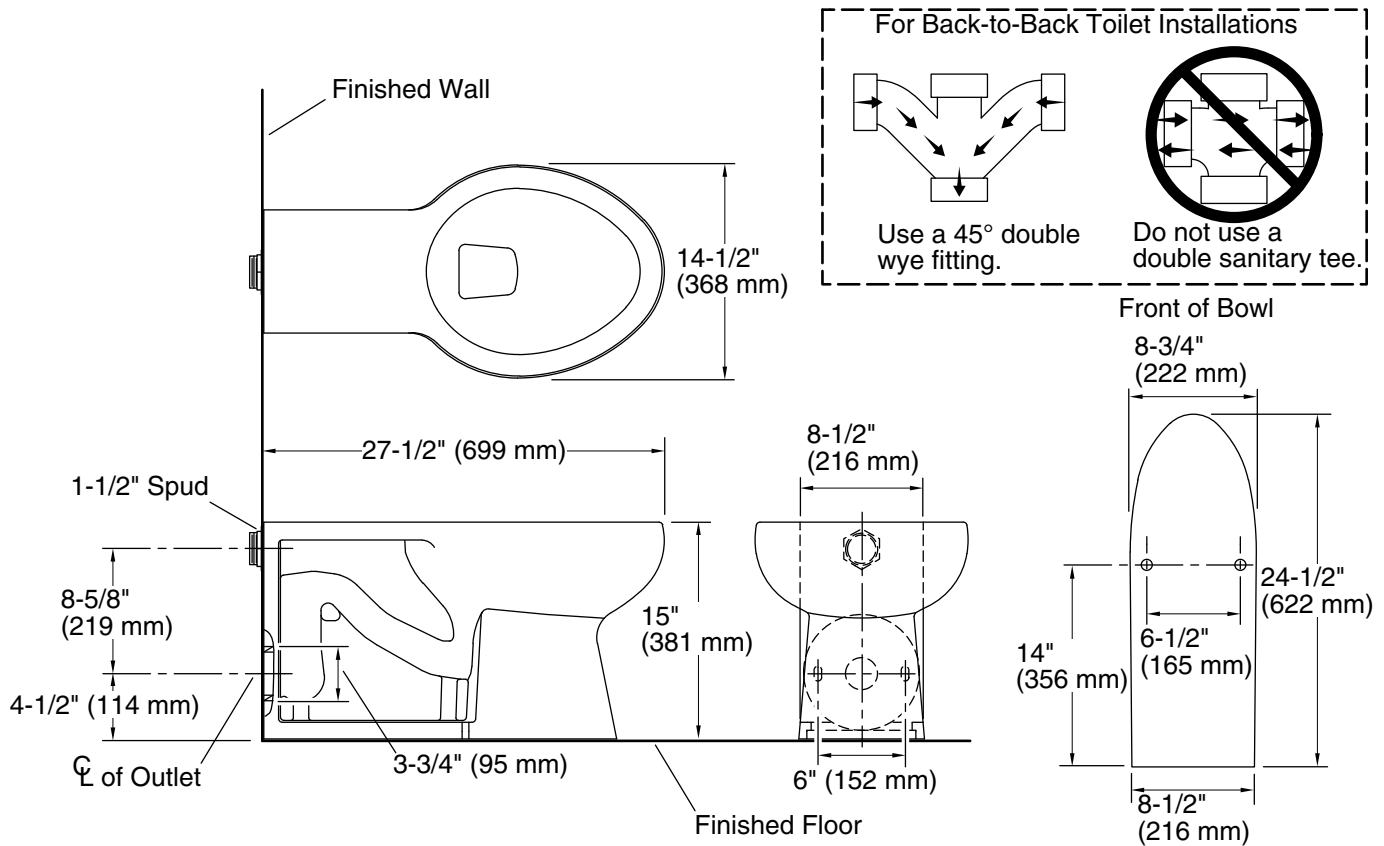
See website for detailed warranty information.

Available Colors/Finishes

Color tiles intended for reference only.

Color	Code	Description
-------	------	-------------

	0	White
---	---	-------



Technical Information

All product dimensions are nominal.

Toilet type:	Floor-mount
Waste Outlet:	Wall
Bowl shape:	Elongated
Spud size:	1-1/2", Inlet, Rear
Trap passageway:	2-1/2" (63 mm)
Water surface size:	11" x 9-1/2" (279 mm x 241 mm)
Rim to water surface:	5-1/4" (133 mm)
Rough-in:	4-1/2" (114 mm)
Seat-mounting holes:	5-1/2" (140 mm)

Notes

Install this product according to the installation instructions.

Refer to manufacturer's instructions and local codes for flushometer requirements.

For back-to-back toilet installations: Use only a 45° double wye fitting.

Ensure valve is braced properly.

Ensure pressure and flow are correct.