



Highline® | K-43999-U

Two-piece elongated toilet, 1.28 gpf

Features

- Two-piece design
- Elongated bowl offers added room and comfort
- Comfort Height® feature offers chair-height seating that makes sitting down and standing up easier for most adults
- 1.28 gpf (4.8 lpf)
- Insuliner® tank liner minimizes condensation on the tank
- Left-hand Polished Chrome trip lever
- 2" (51 mm) fully glazed trapway
- Revolution 360® flushing technology generates a forceful swirling motion to keep the bowl clean longer
- Sanitary guard where bowl and tank meet for ease of cleaning
- Weighs less than previous Highline models
- Combination consists of toilet bowl and tank
- AquaPiston® canister optimizes the flow out of the tank, harnessing gravity and the natural, powerful reducing cascade of water to increase the power and effectiveness of the flush
- Easy-to-flush canister design requires less force to actuate than a 3" (76 mm) flapper, and has 90% less exposed seal material which resists conditions that cause wear, tear, shrinkage and swelling



Sustainability



Available Colors/Finishes

Color tiles intended for reference only.

- 0 White
- 96 Biscuit



1-800-4KOHLER (1-800-456-4537)
Kohler Co. reserves the right to make revisions without notice to product specifications.
For the most current specification sheet, go to www.kohler.com USA or www.kohler.ca Canada.
4-15-2026 8:0 - US-CA

THE BOLD LOOK
OF **KOHLER**®

Codes/Standards

ADA, OBC, CSA B651 compliant when installed to the specific requirements of these regulations.
 Accessibility standards may require controls to be located on the open side of the toilet.
 Plumbing codes may require elongated toilets and elongated, open-front seats in public bathrooms.



ASME A112.19.2/CSA B45.1
 DOE - Energy Policy Act 1992
 EPA WaterSense®
 California Energy Commission (CEC)
 ADA
 ICC/ANSI A117.1
 CSA B651
 OBC

Technical Information

Rough-in:	Standard 12" (305mm)
Flush Type:	AquaPiston, Revolution 360
Flush Rate:	1.28 gpf (4.5 lpf)
Bowl Shape:	Elongated
Waste Outlet:	Floor
Trapway Size:	2-1/8" (54 mm)
Trapway Type:	Exposed
Rim to Water Surface:	6-9/16" (166 mm)

Included Combo Skus

- K-44199 Elongated toilet bowl
- K-44467-U Toilet tank, 1.28 gpf

Recommended Products/Accessories

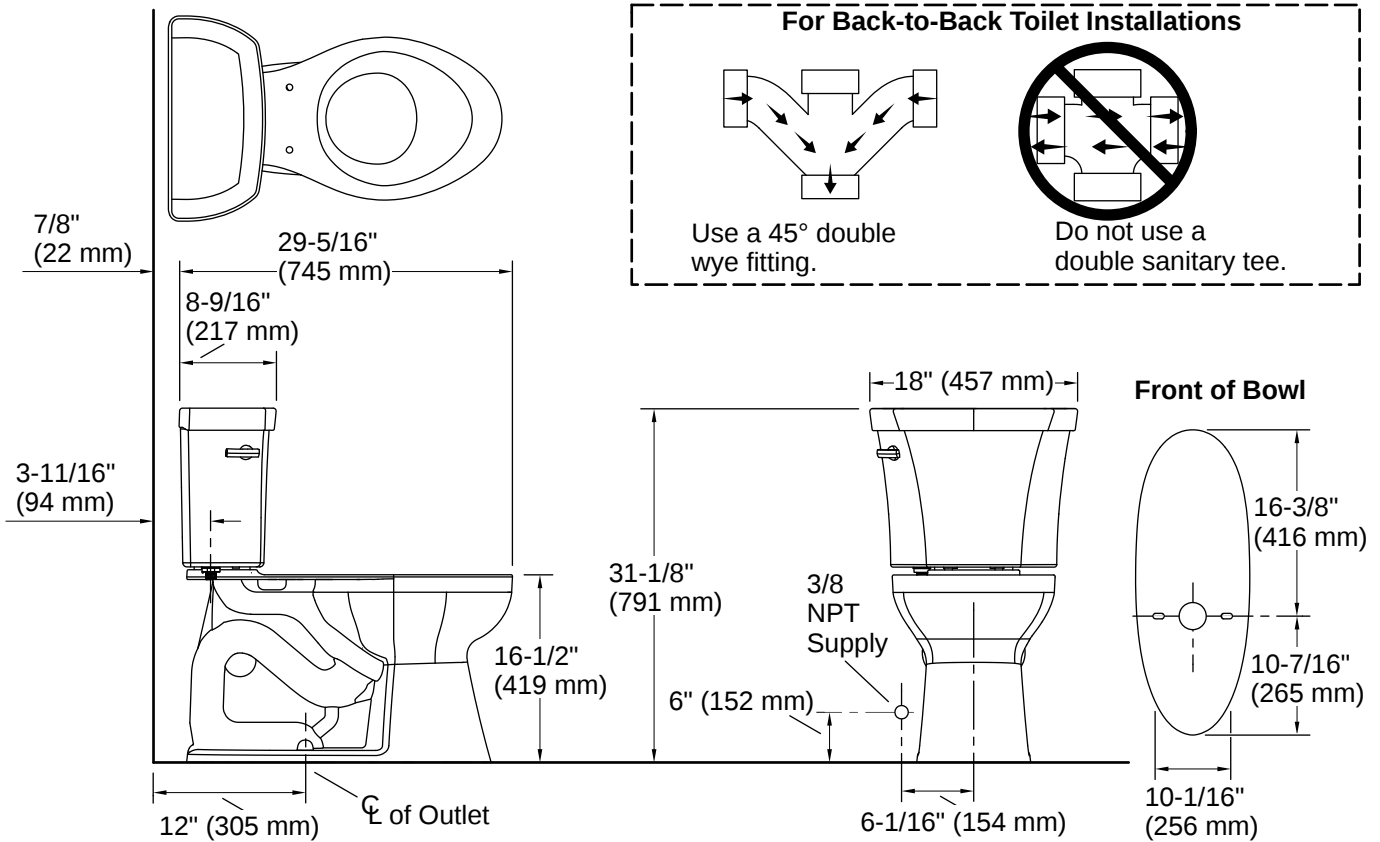
- K-4636-RL ReadyLatch® Quiet-Close™ elongated toilet seat
- K-18751 Elongated bidet toilet seat
- K-9379 Trip lever
- 1023457 Toilet Wax Ring And Hardware Kit
- 1265114 12" Toilet Supply Line

Warranty

See website for detailed warranty information.

KOHLER® Toilets and Seats Limited Warranty





Installation

- Standard 12" (305 mm) rough-in
- Three-bolt quick-connect installation
- Seat and supply line sold separately

Installation Notes

Install this product according to the installation instructions.

Product dimensions are nominal and may vary per ASME A112.19.2 tolerances.

ADA, OBC, CSA B651 compliant when installed to the specific requirements of these regulations.

Plumbing codes may require elongated toilets and elongated, open-front seats in public bathrooms.

Accessibility standards may require controls to be located on the open side of the toilet.

