

Features

- Column lets you customize your shower with a rainhead and handshower
- For use in bath and shower installations with beam shower arm for reduced ceiling height
- Slidebar bracket allows you to adjust height and angle of handshower
- Diverter at the base of the column makes for easy toggling between handshower and rainhead
- Rainhead and handshower sold separately to allow for customized decor
- Includes column, bracket, slidebar and diverter

Material

- Premium metal construction for durability and reliability
- KOHLER® finishes resist corrosion and tarnishing

Installation

- Wall-mount
- Installs in less than 60 minutes without changes to in-wall plumbing (subject to condition of existing installation)

Adapters, Rough-in and Extension Kits

1194630 Range: 2-7/8" (73 mm) - 4" (102 mm)

Recommended Products/Accessories

K-13688 Round 8" single-function rainhead, 2.5 gpm
 K-13689 Round 10" single-function rainhead, 2.5 gpm
 K-13692 8" single-function rainhead, 2.5 gpm
 K-13695 Square 8" single-function rainhead, 2.5 gpm
 K-23723 Faucet cleaner

Optional Products/Accessories

K-8593 72" Shower Hose
 K-9514 60" Shower Hose
 K-45981 72" ribbon hose
 K-45982 60" ribbon hose
 1194630 1/2" NPT Deep Rough-in Kit
 1187917 1/2" NPT Shallow Rough-in Kit
 1194302 Large Escutcheon/Mounting Collar Kit



ADA

Codes/Standards

ADA
 IAPMO Certification

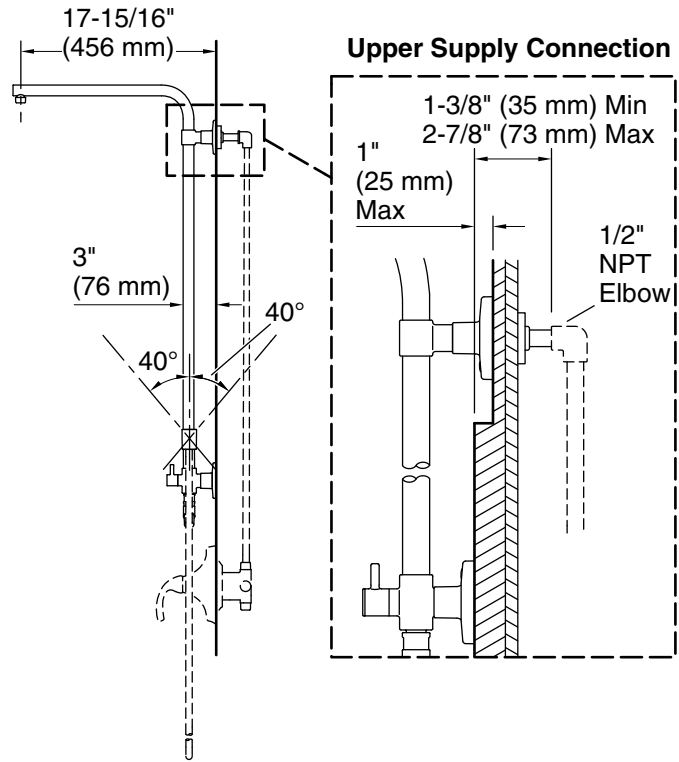
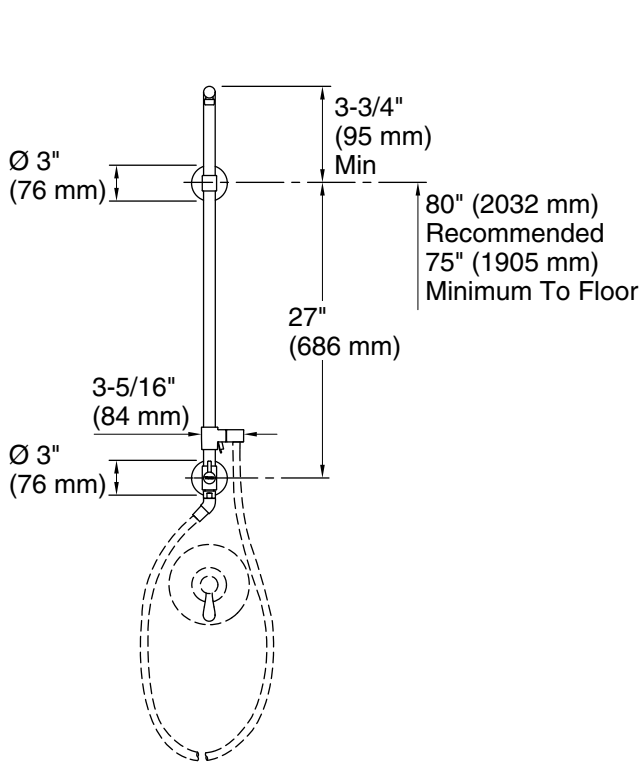
KOHLER® Faucet Lifetime Limited Warranty

See website for detailed warranty information.

Available Colors/Finishes

Color tiles intended for reference only.

Color	Code	Description
	CP	Polished Chrome
	SN	Vibrant® Polished Nickel
	AF	Vibrant® French Gold
	BN	Vibrant® Brushed Nickel
	BV	Vibrant® Brushed Bronze
	BL	Matte Black
	2MB	Vibrant® Brushed Moderne Brass
	TT	Vibrant Titanium



NOTE: Valve trim and hose illustrated for dimensioning only, not included in the product.

Technical Information

All product dimensions are nominal.

Drain included: No

Handshower:

Rated maximum flow: 0 gal/min (0 l/min)

Notes

Install this product according to the installation guide.

Order deep roughing-in kit if the distance from the elbow to the finished wall surface is between 2-7/8" (73 mm) to 4" (102 mm).

Order shallow roughing-in kit if the distance from the elbow to the finished wall surface is less than 1-3/8" (35 mm).

A 3" (76 mm) escutcheon/mounting collar is supplied to fit a 1" (25 mm) to 1-1/4" (32 mm) supply connection hole diameter. Order large escutcheon/mounting collar kit if the supply connection hole diameter is between 1-1/4" (32 mm) to 2-1/4" (57 mm).

ADA compliant when installed to the specific requirements of these regulations.