



July™
Covered Tissue Holder
K-45403T

Features

- Metal construction
- Complete range of faucets, accessories and showering components to coordinate a full bathroom
- Includes installation hardware

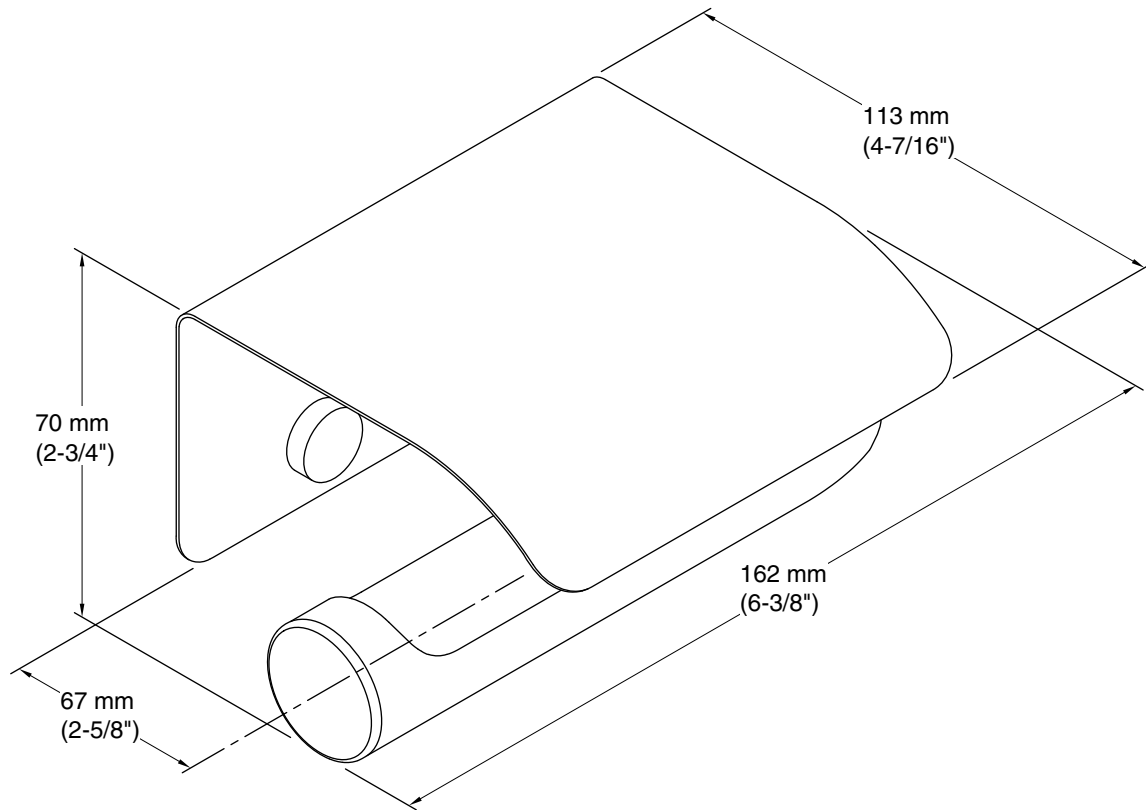
Material

- KOHLER finishes resist corrosion and tarnishing



Codes and Standards vary by country.
Consult your Kohler representative for detailed information.

Warranty varies by country. See country website for detailed warranty information.



Technical Information

All product dimensions are nominal.

Material: Metal

Notes

Install this product according to the installation instructions.

CAUTION: Risk of personal injury. Do not install these products in any area where they are likely to be used inadvertently as a grab bar or support bar. These products are not designed or intended for use as a grab bar or support bar.