

### Features

- Optimized sprayface for maximum performance
- MasterClean™ sprayface features an easy-to-clean surface that withstands mineral buildup and maximizes spray performance
- 5-15/16" (151 mm) diameter sprayface
- 1.75 gpm (6.6 lpm) maximum flow rate

### Technology

- Katalyst® air-induction technology infuses water with air, creating bigger drops for a more powerful spray
- Katalyst® air-induction technology infuses water with air, creating bigger drops for a more powerful spray

### Installation

- 1/2 -14 NPT connection
- Shower arm and flange sold separately

### Recommended Products/Accessories

K-7397 Shower Arm and Flange  
K-23723 Faucet cleaner

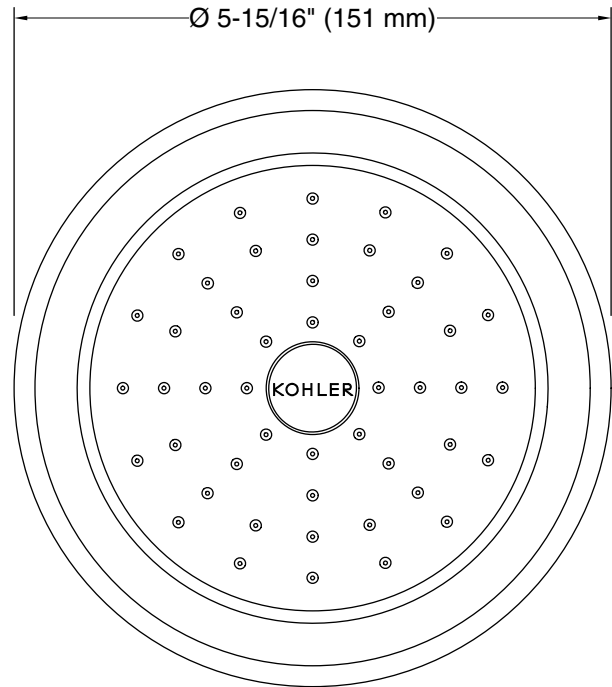
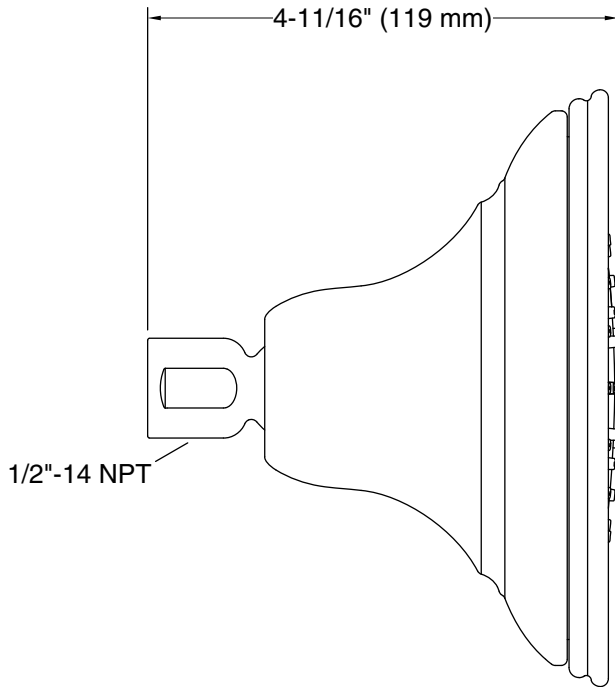


### Codes/Standards

ASME A112.18.1/CSA B125.1  
DOE - Energy Policy Act 1992  
EPA WaterSense®  
California Energy Commission (CEC)  
IAPMO Certification

### KOHLER® Faucet Lifetime Limited Warranty

See website for detailed warranty information.



**Technical Information**

All product dimensions are nominal.

**Showerhead/Body Spray:**

Rated maximum flow: 1.75 gal/min (6.6 l/min)

**Notes**

For use with automatic compensating valves rated at 1.4 gal/min (5.3 l/min) or less.

Install this product according to the installation instructions.