

Features

- Metal construction
- One-piece, self-contained ceramic disc valve allows for both volume and temperature control
- Pop-up drain with lift rod and tailpiece
- 5" (127 mm) spout reach
- Stationary spout
- Lever handle
- Includes a 6-1/4" (159 mm) escutcheon plate for three-hole bathroom sinks
- 1.2 gpm (4.5 lpm) maximum flow rate at 60 psi (4.14 bar)

Installation

- Single-hole installation

Recommended Products/Accessories

K-23726 Drain treatment
K-23723 Faucet cleaner



ADA

CSA B651

OBC

Codes/Standards

ASME A112.18.1/CSA B125.1

NSF/ANSI/CAN 61

NSF/ANSI/CAN 372

All applicable US Federal and State material regulations

DOE - Energy Policy Act 1992

EPA WaterSense®

California Energy Commission (CEC)

ADA

ICC/ANSI A117.1

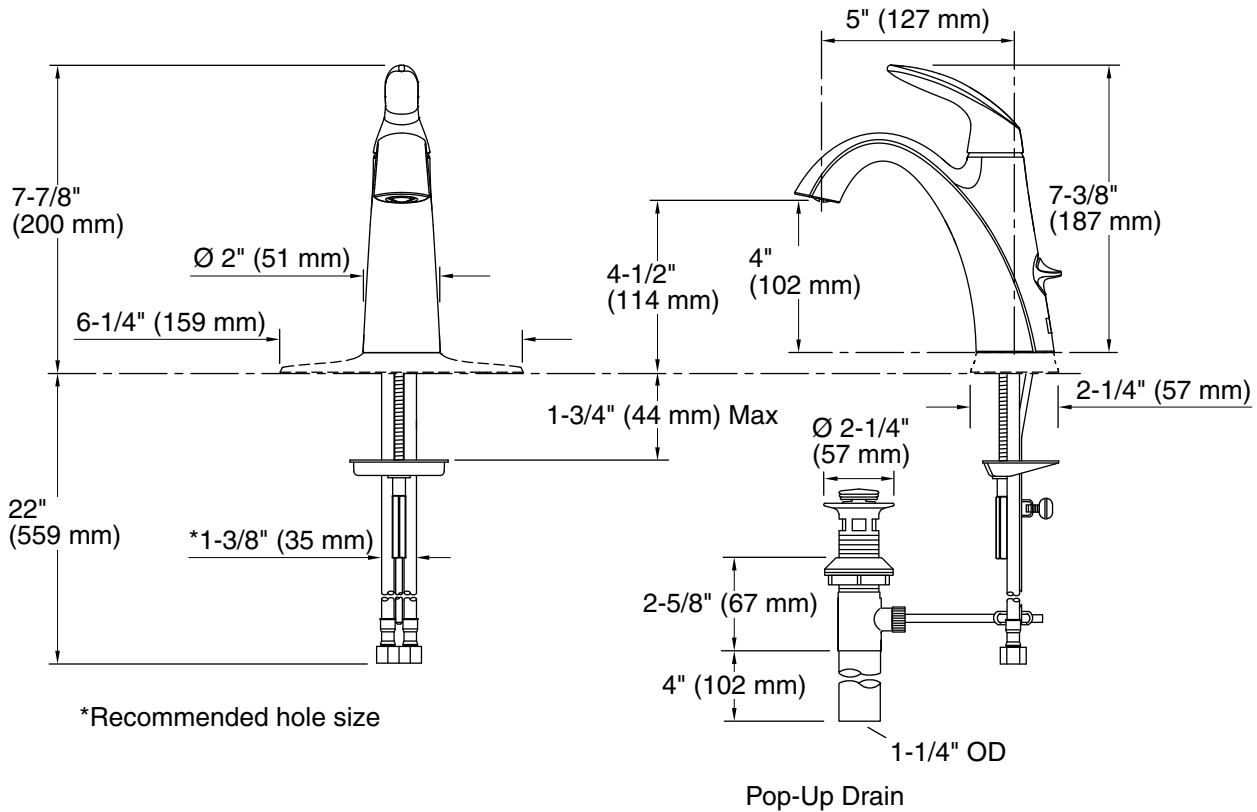
CSA B651

OBC

IAPMO Certification

KOHLER® Faucet Lifetime Limited Warranty

See website for detailed warranty information.



Technical Information

All product dimensions are nominal.

Faucet:

Flow rate: 1.2 gal/min (4.5 l/min)

Drain included: Yes

Spout:

Spout reach: 5" (127 mm)

Handshower:

Rated maximum flow: 0 gal/min (0 l/min)

Notes

Install this product according to the installation guide.

If possible, install the faucet and drain to the bathroom sink before installing the sink.

ADA compliant for handles only.

ADA, OBC, CSA B651 compliant when installed to the specific requirements of these regulations.