



Gilded Meadow™ Conical Bell®

16-1/4" round vessel bathroom sink, no overflow
K-45922-DE

Features

- Decorated with a textural floral pattern on Translucent Cashmere background
- Gold accents
- Round bowl-like basin
- No faucet holes; requires wall- or counter-mount faucet
- Coordinates with other products with the Gilded Meadow design

Material

- Vitreous china

Installation

- Vessel



ADA

CSA B651

OBC

Codes/Standards

ASME A112.19.2/CSA B45.1

ADA

ICC/ANSI A117.1

CSA B651

OBC

IAPMO Certification

KOHLER® One-Year Limited Warranty

See website for detailed warranty information.

Available Colors/Finishes

Color tiles intended for reference only.

Color Code Description



K5

Translucent Cashmere

1-800-4KOHLER (1-800-456-4537)

Kohler Co. reserves the right to make revisions without notice to product specifications.

For the most current Specification Sheet, go to www.kohler.com USA or www.kohler.ca Canada

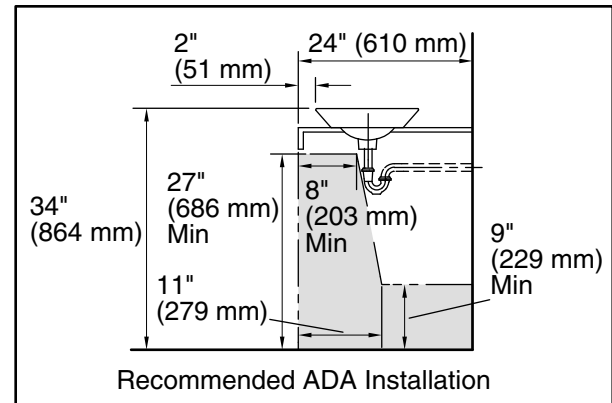
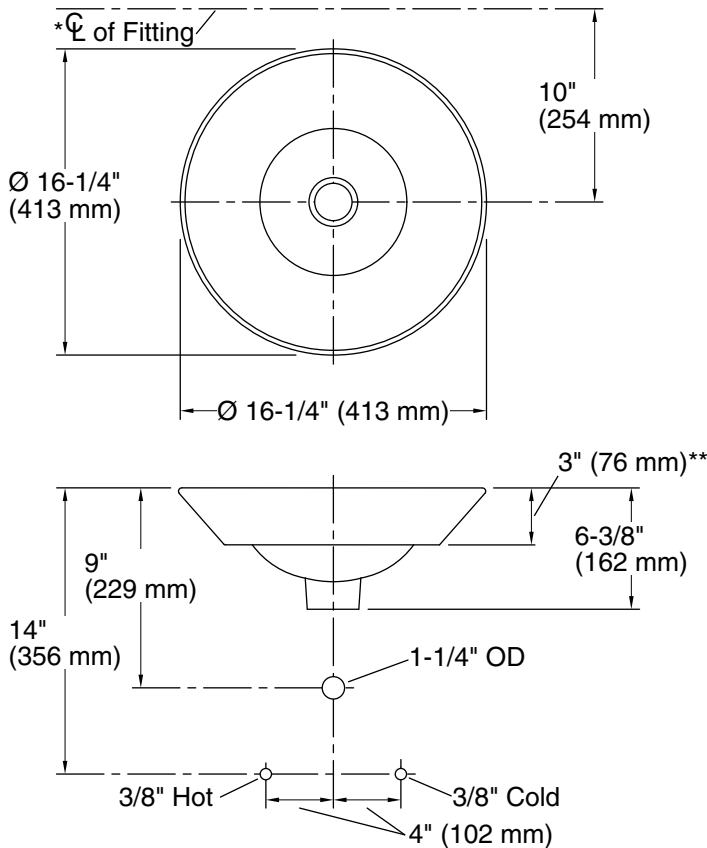
7-11-2024 22:52 - US

THE BOLD LOOK
OF **KOHLER**®



Gilded Meadow™ Conical Bell®

16-1/4" round vessel bathroom sink, no overflow
K-45922-DE



Technical Information

All product dimensions are nominal.

- Bowl configuration: Single
- Bowl area (Only): Length: 15-1/2" (394 mm)
Width: 15-1/2" (394 mm)
Bowl depth: 4-3/8" (111 mm)
Water depth: 4-1/4" (108 mm)
- With overflow: No
- Drain hole: 1-3/4" (44 mm)
- Template: 1002980-7, required, included

Notes

Install this product according to the installation instructions.

Product does not have an overflow.

*Spout must be 5" (127 mm) long (min) for adequate clearance into the bathroom sink when installed with centerline as shown.

NOTICE: Countertop manufacturer or cutter must use the cut-out template provided with the product, or a current one provided by Kohler Co. (call 1-800-4-KOHLER). Kohler Co. is not responsible for cut-out errors when the incorrect cut-out template is used.

ADA, OBC, CSA B651 compliant when installed to the specific requirements of these regulations.