

# KOHLER®

**Highline®**  
The Complete Solution® two-piece elongated toilet,  
dual-flush  
**K-45979**

## Features

- Two-piece design
- Elongated bowl offers added room and comfort
- Comfort Height® feature offers chair-height seating that makes sitting down and standing up easier for most adults
- Left-hand nested trip lever offers a choice of 1.1 or 1.6 gallons per flush (gpf)
- 2-1/8" (54 mm) fully glazed trapway
- The Complete Solution toilets provide everything you need, including bowl, tank, seat, wax ring, and hardware
- Dual-flush technology allows you to choose between a full or partial flush
- Eligible for consumer rebates in some municipalities

## Installation

- Supply line sold separately
- Standard 12" (305 mm) rough-in
- Three-bolt quick-connect installation

## Recommended Products/Accessories

K-5588 Purefresh® Deodorizing elongated toilet seat  
K-5420 Low-Profile Bolt Caps  
K-23726 Drain treatment



ADA

CSA B651

OBC

## Codes/Standards

ASME A112.19.2/CSA B45.1  
ASME A112.19.14  
DOE - Energy Policy Act 1992  
EPA WaterSense®  
California Energy Commission (CEC)  
ADA  
ICC/ANSI A117.1  
CSA B651  
OBC  
IAPMO Certification

## KOHLER® One-Year Limited Warranty

See website for detailed warranty information.

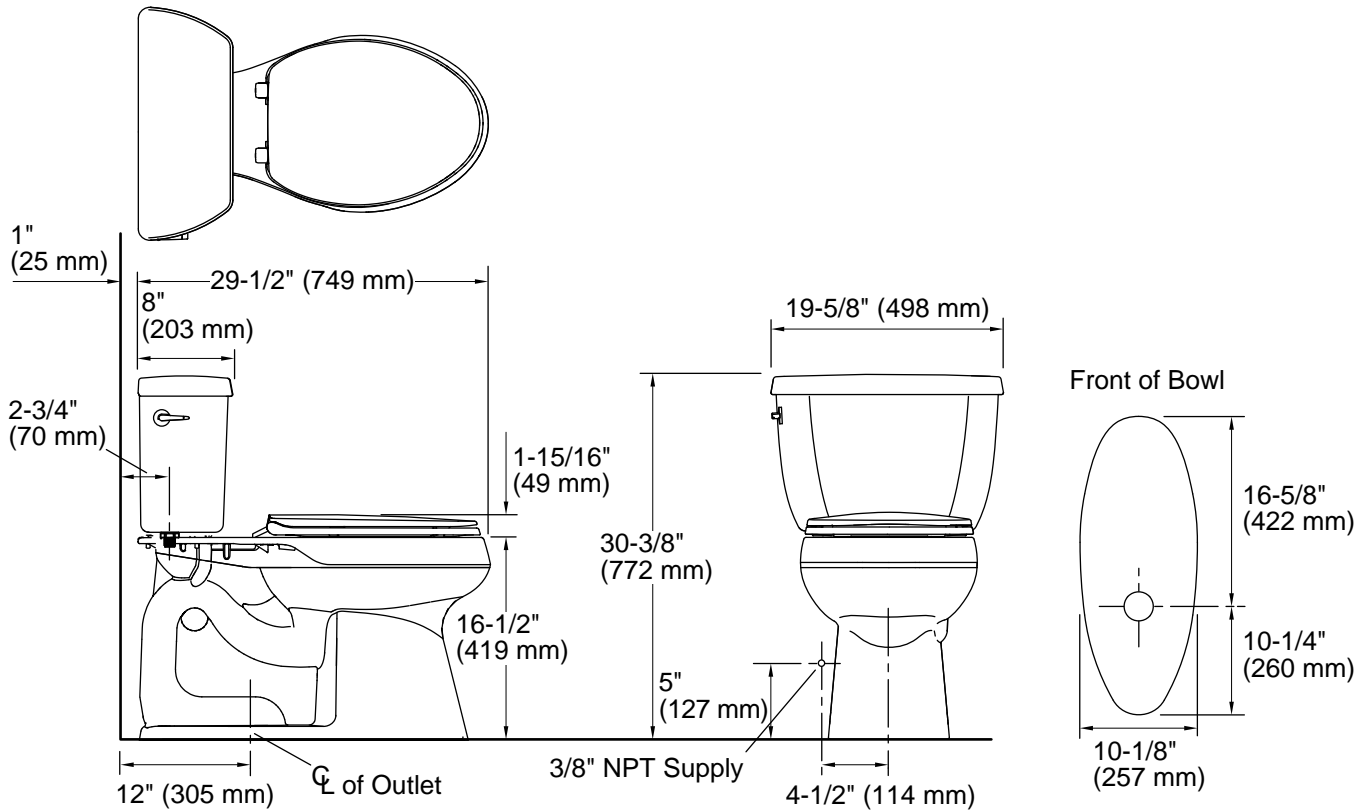
1-800-4KOHLER (1-800-456-4537)

Kohler Co. reserves the right to make revisions without notice to product specifications.

For the most current Specification Sheet, go to [www.kohler.com](http://www.kohler.com) USA or [www.kohler.ca](http://www.kohler.ca) Canada

12-10-2024 20:46 - US/CA

THE BOLD LOOK  
OF **KOHLER®**



## Technical Information

All product dimensions are nominal.

Toilet type:	Floor-mount
Bowl shape:	Elongated
Flush type:	Class Five
Trap passageway:	2-1/8" (54 mm)
Water surface size:	11-3/8" x 8" (289 mm x 203 mm)
Rim to water surface:	5-1/2" (140 mm)
Rough-in:	12" (305 mm)

## Notes

Install this product according to the installation instructions.

For back-to-back toilet installations, the toilet shall be connected to the vertical stack using one of the three following fitting double fixture fitting, double combination wye and 1/8 bends or double wye and 1/8 bends.

ADA, OBC, CSA B651 compliant when installed to the specific requirements of these regulations.

Plumbing codes may require elongated toilets and elongated, open-front seats in public bathrooms.

Accessibility standards may require controls to be located on the open side of the toilet.