



Lustra™ | K-4671-C

Elongated toilet seat with check hinge, in Black Black

Features

- KOHLER® plumbing products combine beautiful form and reliable function
- Elongated, open-front toilet seat
- Check hinge



1-800-4KOHLER (1-800-456-4537)
Kohler Co. reserves the right to make revisions without notice to product specifications.
For the most current specification sheet, go to www.kohler.com USA or www.kohler.ca Canada.
4-15-2026 1:9 - US-CA

THE BOLD LOOK
OF **KOHLER**®

Codes/Standards

Plumbing codes may require elongated toilets and elongated, open-front seats in public bathrooms.

IAPMO/ANSI Z124.5

EPA TSCA Title VI/CARB P2

Technical Information

All product dimensions are nominal.

Seat Shape Type:	Elongated
Seat Front Type:	Open-front
Seat Hinge Type:	Check
Seat-Mounting Holes:	5-1/2" (140 mm)

Material

- Polypropylene
-

Warranty

See website for detailed warranty information.

KOHLER® One-Year Limited Warranty

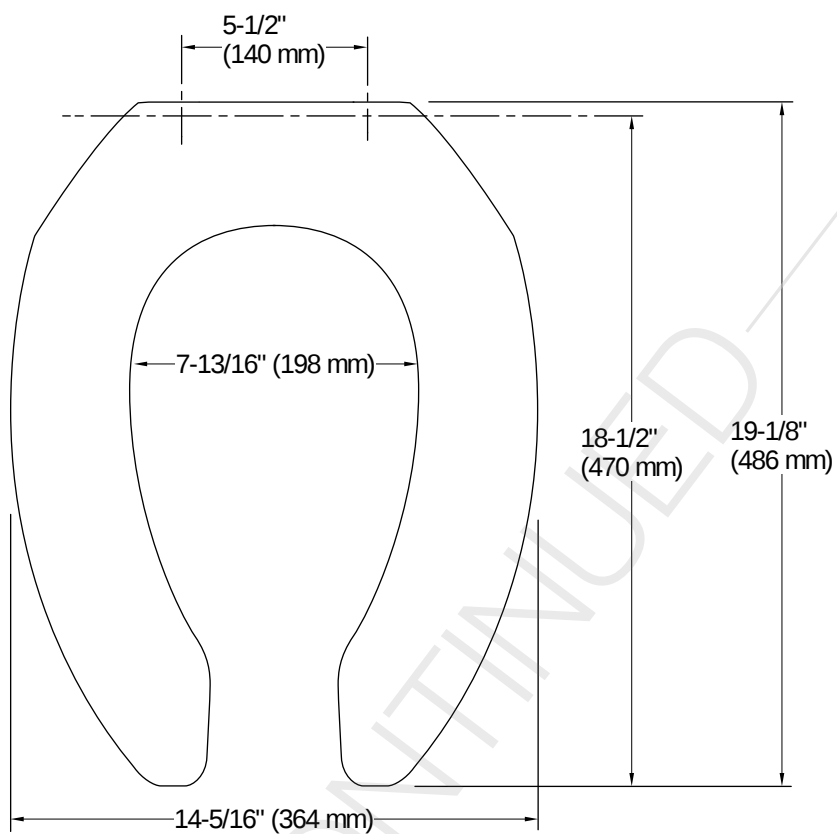


1-800-4KOHLER (1-800-456-4537)

Kohler Co. reserves the right to make revisions without notice to product specifications.

For the most current specification sheet, go to www.kohler.com USA or www.kohler.ca Canada.

4-15-2026 1:9 - US-CA



Installation Notes

Install this product according to the installation instructions.

