



**Primary™**  
Commercial round-front toilet seat with antimicrobial agent  
**K-4686-A**

**Features**

- Open-front seat without lid
- Plastic hinges
- Antimicrobial agent inhibits growth of odor-causing bacteria, mold, and mildew. This product does not protect users against bacteria, viruses, or other disease organisms. Always clean and wash this product thoroughly before and after each use

**Material**

- Plastic construction



**Codes/Standards**

None Applicable


**KOHLER® One-Year Limited Warranty**

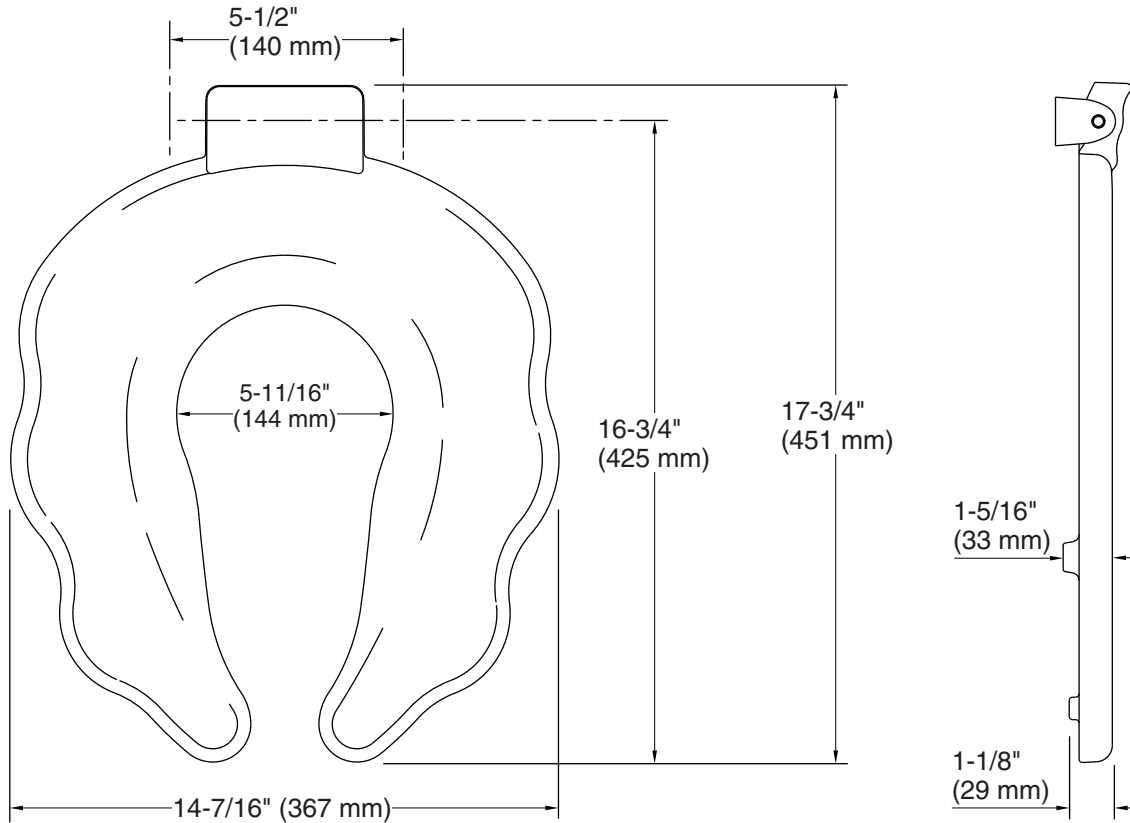
See website for detailed warranty information.

**Available Colors/Finishes**

*Color tiles intended for reference only.*

**Color Code Description**

|   |   |       |
|---|---|-------|
|  | 0 | White |
|---|---|-------|



### Technical Information

All product dimensions are nominal.

|                      |                 |
|----------------------|-----------------|
| Seat shape type:     | Round-front     |
| Seat front type:     | Open-front      |
| Seat hinge type:     | Check           |
| Seat-mounting holes: | 5-1/2" (140 mm) |

### Pressure/fixture Supply Requirements

### Notes

Install this product according to the installation instructions.