

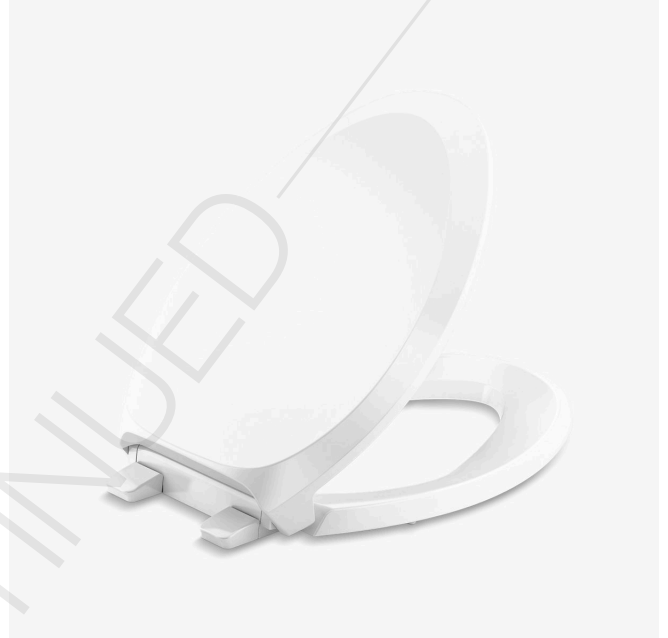


# French Curve® | K-4713-RL

ReadyLatch® Quiet-Close™ elongated toilet seat

## Features

- Grip-Tight installation hardware makes it easy to fasten the seat – everything is done from above the bowl
- ReadyLatch® hinge provides a positive lock/unlock latch to securely hold seat in position, yet seat easily removes for cleaning or adjusting fit
- Quiet-Close™ elongated lid and seat prevents slamming
- Grip-Tight bumpers hold seat firmly in place
- Contoured seat for user comfort
- Color-matched plastic hinges



1-800-4KOHLER (1-800-456-4537)  
Kohler Co. reserves the right to make revisions without notice to product specifications.  
For the most current specification sheet, go to [www.kohler.com](http://www.kohler.com) USA or [www.kohler.ca](http://www.kohler.ca) Canada.  
4-15-2026 6:28 - US-CA

THE BOLD LOOK  
OF **KOHLER**®

---

## Codes/Standards

*Plumbing codes may require elongated toilets and elongated, open-front seats in public bathrooms.*

IAPMO/ANSI Z124.5

---

## Technical Information

*All product dimensions are nominal.*

|                      |                 |
|----------------------|-----------------|
| Seat Shape Type:     | Elongated       |
| Seat Front Type:     | Closed-front    |
| Seat-Mounting Holes: | 5-1/2" (140 mm) |

---

## Material

- Plastic construction
- 

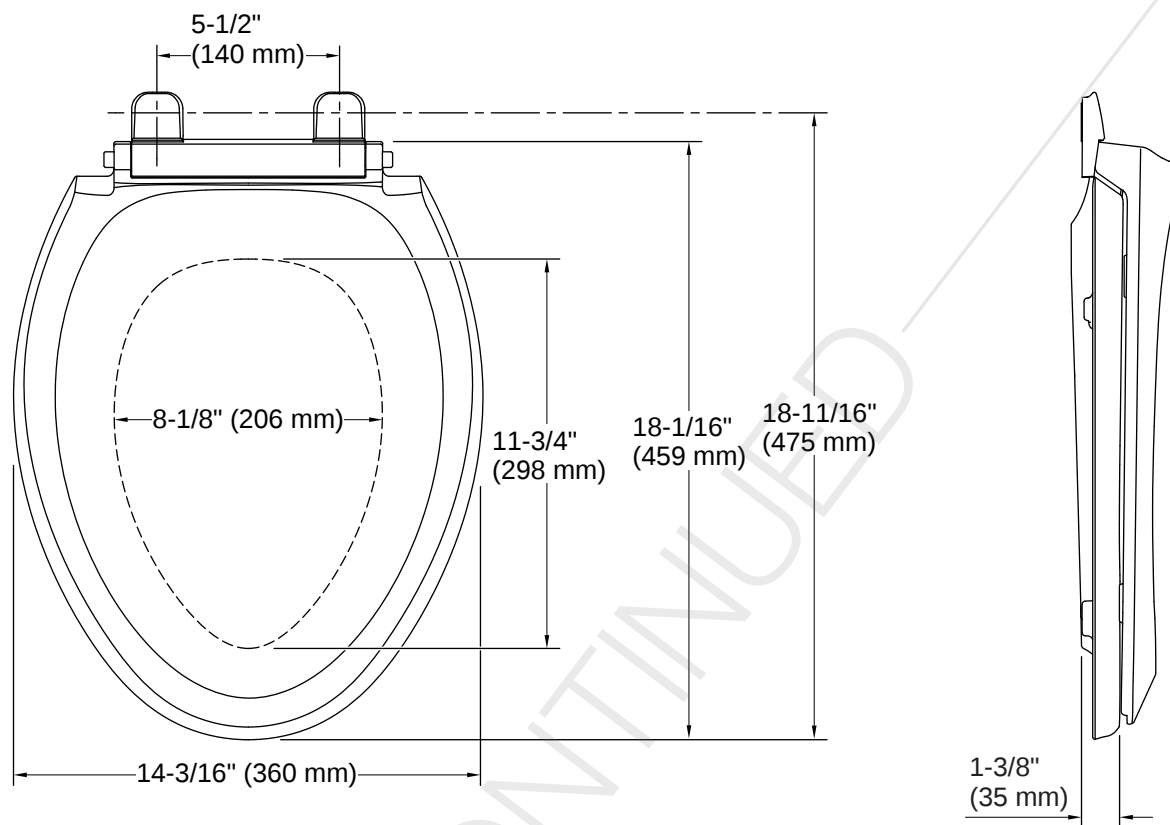
## Warranty

*See website for detailed warranty information.*

KOHLER® Toilets and Seats Limited Warranty

DISCONTINUED





### Installation Notes

*Install this product according to the installation instructions.*

