



**Stronghold®**  
Commercial elongated toilet seat with antimicrobial agent  
**K-4731-CA**

**Features**

- Commercial elongated open-front seat without lid
- Antimicrobial agent inhibits growth of odor-causing bacteria, mold, and mildew. This product does not protect users against bacteria, viruses, or other disease organisms. Always clean and wash this product thoroughly before and after each use
- Ergonomic contour adds additional comfort
- Integrated lift tab on seat edge offers a more hygienic solution for raising and lowering
- Check hinge prevents seat from leaning back against tank or flushometer

**Material**

- Plastic construction



**Codes/Standards**

None Applicable

**KOHLER® One-Year Limited Warranty**

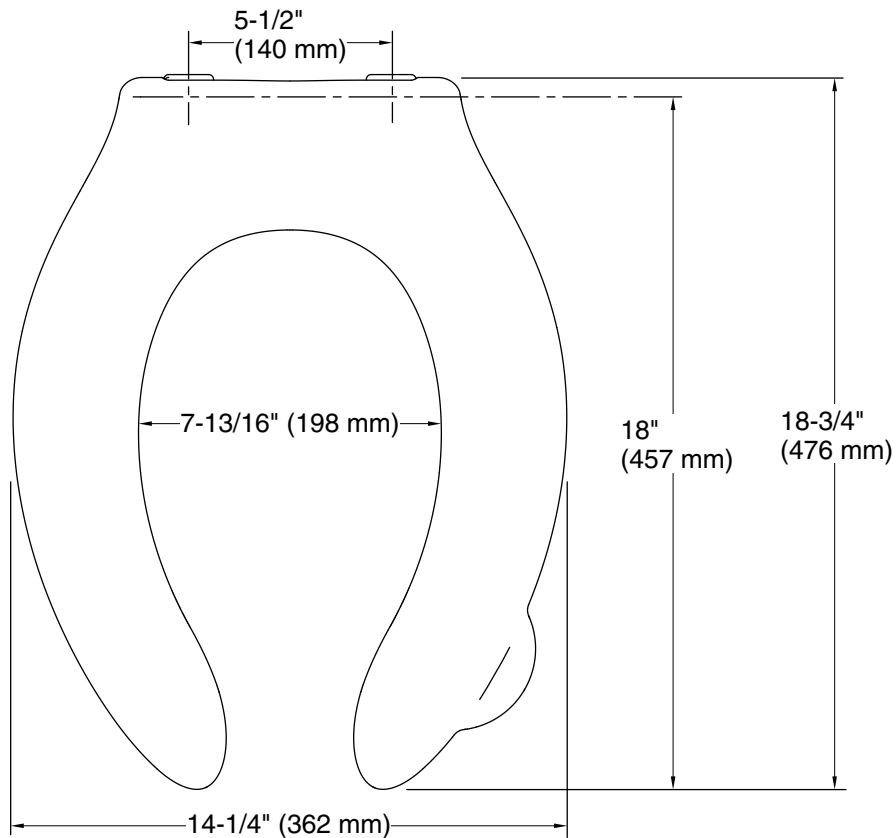
See website for detailed warranty information.

**Available Colors/Finishes**

*Color tiles intended for reference only.*

**Color Code Description**

	0	White
---	---	-------



### Technical Information

All product dimensions are nominal.

Seat shape type: Elongated  
Seat front type: Open-front  
Seat hinge type: Check  
Seat-mounting holes: 5-1/2" (140 mm)

### Notes

Install this product according to the installation guide.