



Stronghold®

Commercial elongated toilet seat with integrated handle and Quiet-Close™ check hinge
K-4731-GC

Features

- Elongated open-front seat
- Ergonomic contour adds additional comfort
- Integrated lift tab on seat edge offers a more hygienic solution for raising and lowering
- Stainless steel hinge arms and hardware
- Heavy duty
- Without cover
- Quiet-Close™ hinge will slowly close seat with check hinge functionality

Material

- Polypropylene



Codes/Standards

None Applicable

KOHLER® One-Year Limited Warranty

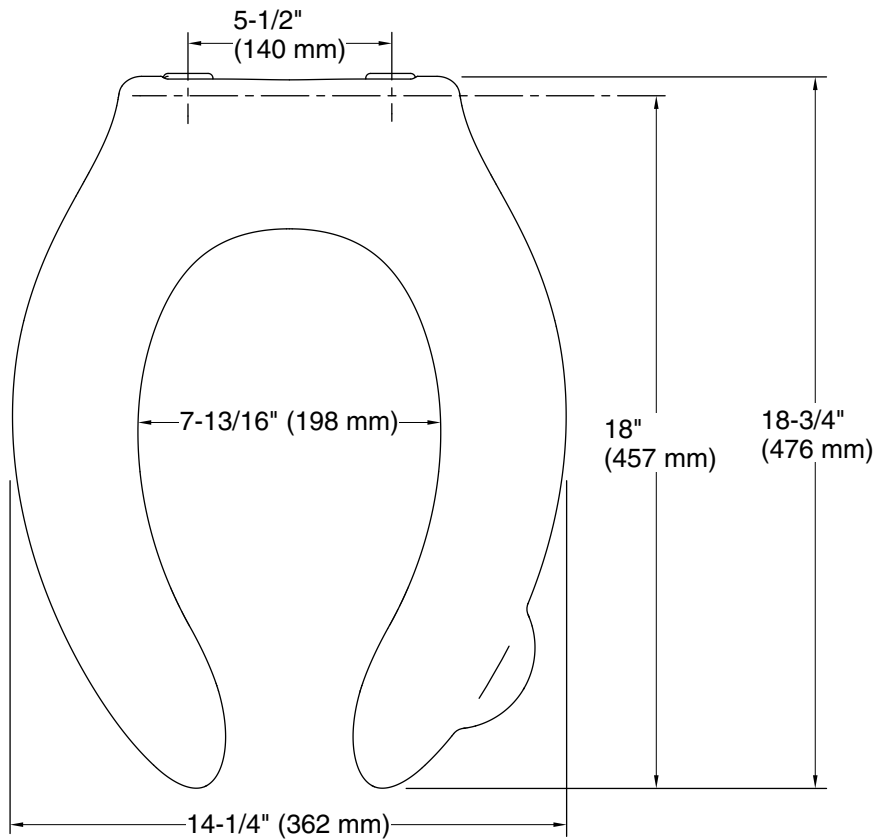
See website for detailed warranty information.

Available Colors/Finishes

Color tiles intended for reference only.

Color	Code	Description
-------	------	-------------

	0	White
---	---	-------



Technical Information

All product dimensions are nominal.

Seat shape type: Elongated
Seat front type: Open-front
Seat hinge type: Check
Seat-mounting holes: 5-1/2" (140 mm)

Notes

Install this product according to the installation guide.