

## Features

- Quick-Release™ functionality allows seat to be removed easily from toilet for convenient cleaning
- Quick-Attach® hardware for fast and secure installation
- Color-matched plastic hinges
- Grip-Tight bumpers hold seat firmly in place
- Contoured seat for user comfort
- Round closed-front seat
- Fits most round-front toilets

## Material

- Plastic construction

## Installation

- For nonresidential application, K-7673 or K-20111 is recommended



## Codes/Standards




IAPMO/ANSI Z124.5

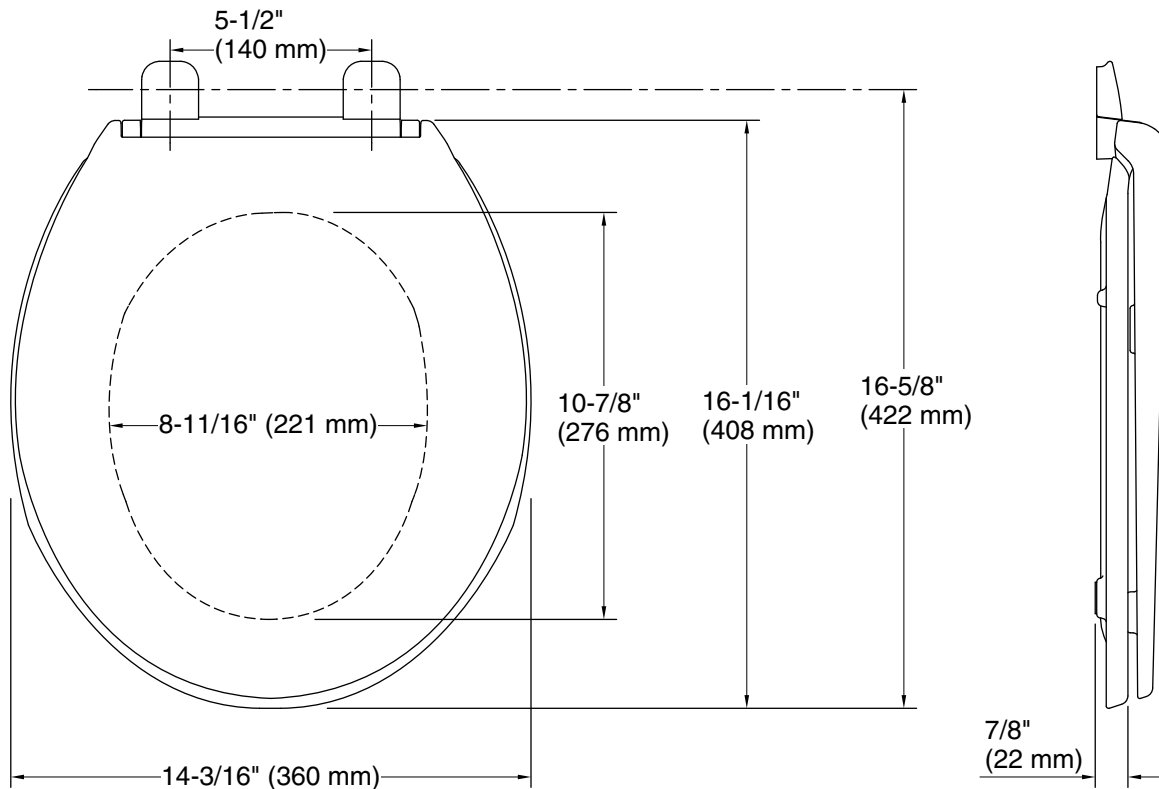
## KOHLER® One-Year Limited Warranty

See website for detailed warranty information.

## Available Colors/Finishes

*Color tiles intended for reference only.*

Color	Code	Description
	0	White
	96	Biscuit
	47	Almond



### Technical Information

All product dimensions are nominal.

Seat shape type: Round-front  
Seat front type: Closed-front  
Seat-mounting holes: 5-1/2" (140 mm)

### Notes

Install this product according to the installation guide.