



**Bardon™**  
High Efficiency Urinal (HEU)  
**K-4904-ER**

**Features**

- Washout urinal
- 3/4" (19 mm) rear spud
- 0.125 - 1.0 gpf (0.47 - 3.8 lpf)
- Will replace K-4960-ER urinal

**Material**

- Vitreous china

**Installation**

- 14" (356 mm) extended rim

**Recommended Products/Accessories**

- K-23726 Drain treatment
- K-23725 Cast iron cleaner



**ADA**

**CSA B651**

**Codes/Standards**

ASME A112.19.2/CSA B45.1  
DOE - Energy Policy Act 1992  
EPA WaterSense®  
ADA  
ICC/ANSI A117.1  
CSA B651  
IAPMO Certification

**KOHLER® One-Year Limited  
Warranty**

See website for detailed warranty information.

1-800-4KOHLER (1-800-456-4537)

Kohler Co. reserves the right to make revisions without notice to product specifications.

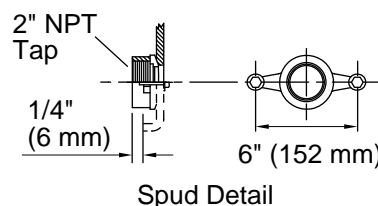
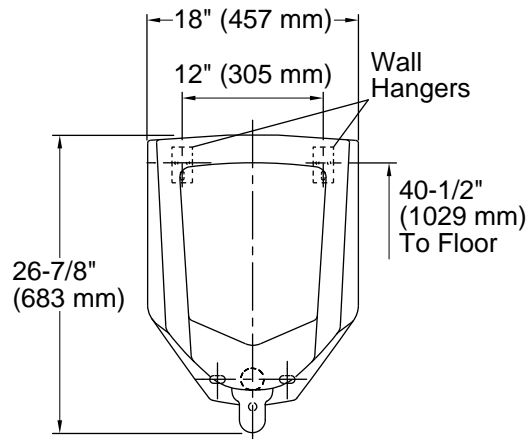
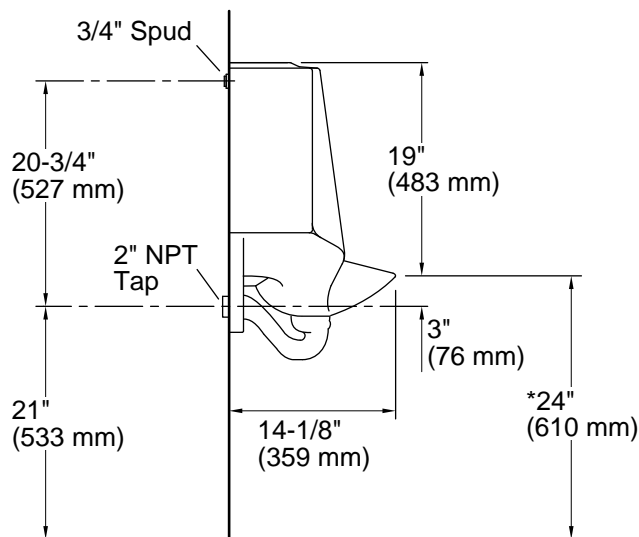
For the most current Specification Sheet, go to [www.kohler.com](http://www.kohler.com) USA or [www.kohler.ca](http://www.kohler.ca) Canada

1-4-2025 19:52 - US/CA

THE BOLD LOOK  
OF **KOHLER®**

\*Urinal complies with ADA requirements when rim is mounted no higher than 17" (432 mm) from finished floor.

\*Urinal complies with CSA B651 when rim is mounted no higher than 16-7/8" (430 mm) from finished floor.



### Technical Information

All product dimensions are nominal.

Spud size:	Rear
Min. Water per Flush:	0.125 gpf (0.5 lpf)
Max. Water per Flush:	1 gpf (3.8 lpf)

Designed for the above water use when installed with a water-saving flushometer.

### Notes

Install this product according to the installation guide.

Refer to manufacturer's instructions and local codes for flushometer requirements.

ADA, CSA B651 compliant when installed to the specific requirements of these regulations.