

KOHLER®

Bardon™ High Efficiency Urinal (HEU) **K-4904-ET**

Features

- Washout urinal
- 3/4" (19 mm) top spud
- 14-1/8" (359 mm) extended rim
- 0.125 - 1.0 gpf (0.47 - 3.8 lpf)
- Will replace K-4960-ET urinal
- 26-7/8" (683 mm) x 18" (457 mm) x 14-1/8" (359 mm)

Material

- Vitreous china

Recommended Products/Accessories

- K-23726 Drain treatment
- K-23725 Cast iron cleaner



ADA

Codes/Standards

ASME A112.19.2/CSA B45.1
EPA WaterSense®
ADA
ICC/ANSI A117.1
IAPMO Certification

KOHLER® One-Year Limited Warranty

See website for detailed warranty information.

1-800-4KOHLER (1-800-456-4537)

Kohler Co. reserves the right to make revisions without notice to product specifications.

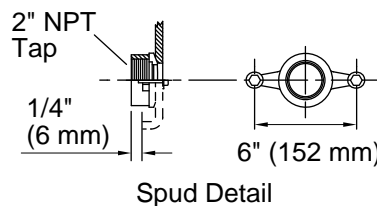
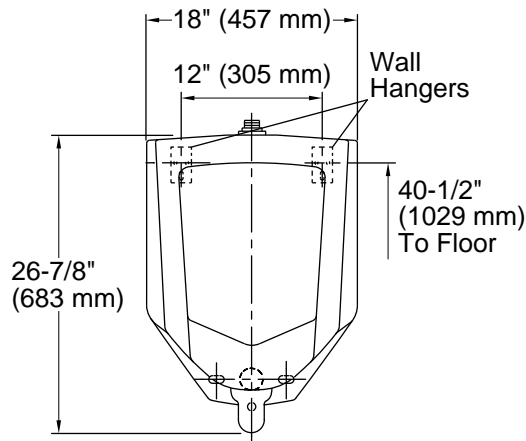
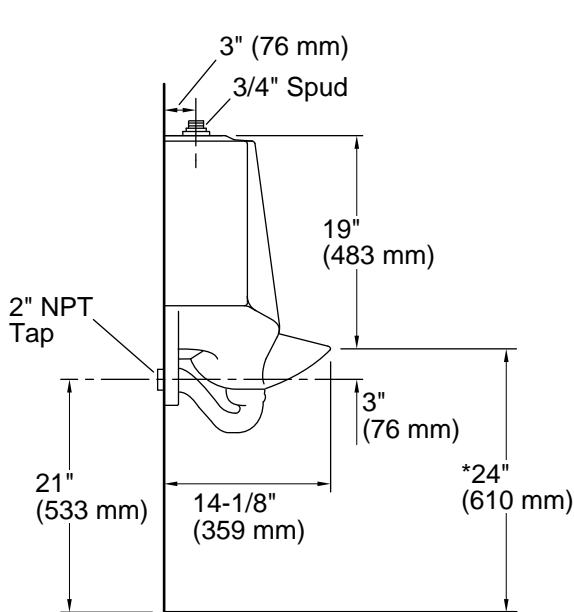
For the most current Specification Sheet, go to www.kohler.com USA or www.kohler.ca Canada

12-15-2024 19:19 - US/CA

THE BOLD LOOK
OF **KOHLER®**

*Urinal complies with ADA requirements when rim is mounted no higher than 17" (432 mm) from finished floor.

*Urinal complies with CSA B651 when rim is mounted no higher than 16-7/8" (430 mm) from finished floor.



Technical Information

All product dimensions are nominal.

Spud size:	3/4"
Min. Water per Flush:	0.125 gpf (0.5 lpf)
Max. Water per Flush:	1 gpf (3.8 lpf)

Designed for the above water use when installed with a water-saving flushometer.

Notes

Install this product according to the installation guide.
ADA compliant when installed to the specific requirements of these regulations.