

### Features

- Washout urinal
- 1/2" (13 mm) rear spud
- 0.5 gpf (1.9 lpf)
- Touchless urinals deliver dependable water-saving performance and added hygiene
- This product can help a building earn Water Efficiency points in LEED® Green Building Rating System
- Washout urinal
- Touchless™ electronic flush valve (battery operated)
- Includes tank cover and tank cover locks
- 0.5 gpf (1.9 lpf)

### Material

- Vitreous china

### Recommended Products/Accessories

K-23726 Drain treatment  
K-23725 Cast iron cleaner



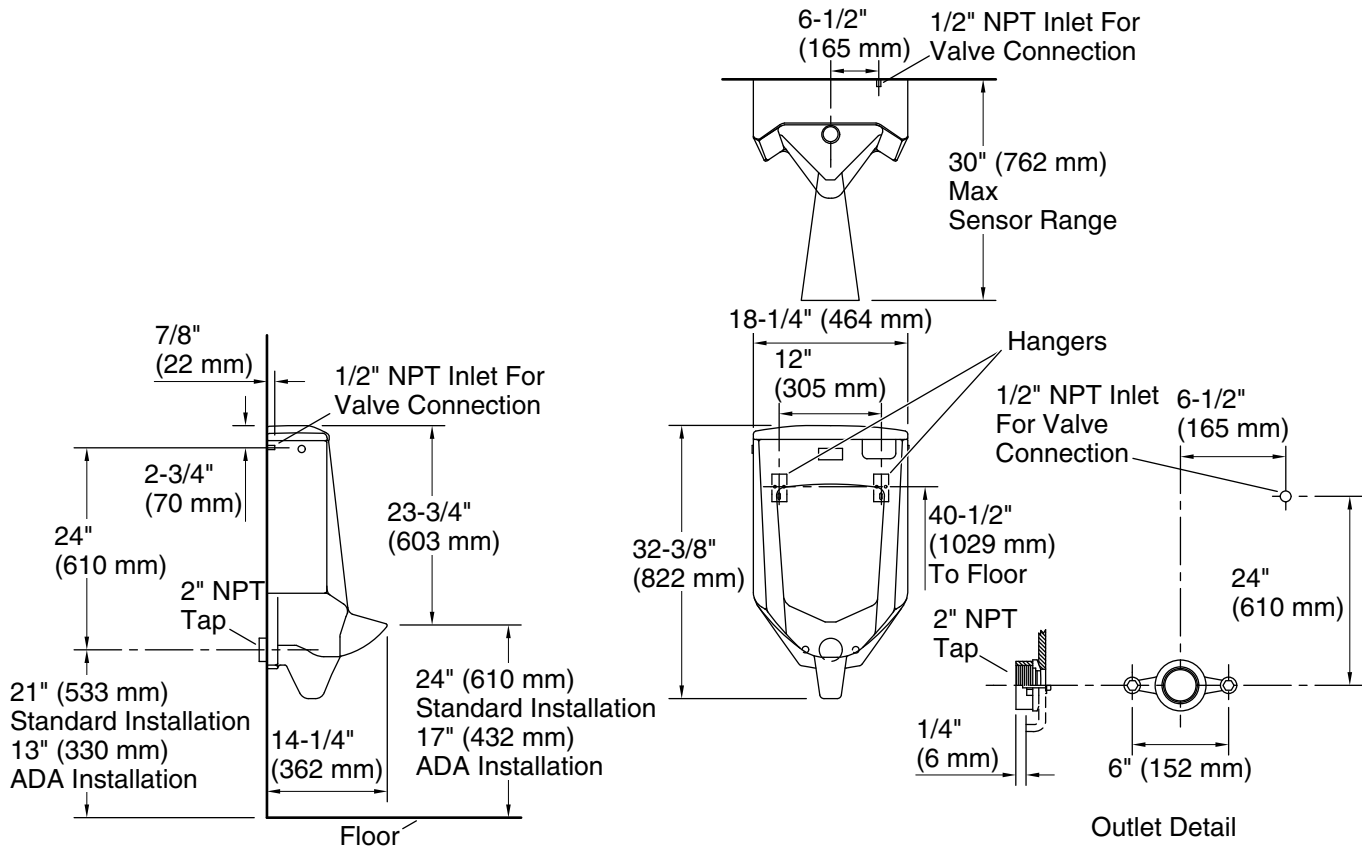
ADA

### Codes/Standards

ASME A112.19.2/CSA B45.1  
ADA  
ICC/ANSI A117.1  
UL Listed

### KOHLER® One-Year Limited Warranty

See website for detailed warranty information.



## Technical Information

All product dimensions are nominal.

Spud size: 1/2", Inlet, Rear

Min. Water per Flush: 0.5 gpf (1 lpf)

Max. Water per Flush: 0.5 gpf (1 lpf)

Designed for the above water use when installed with a water-saving flushometer.

Power source: Battery - DC, Alkaline, included

## Notes

Install this product according to the installation guide.

ADA compliant when installed to the specific requirements of these regulations.