

## Features

- Waterless urinal
- 14-3/4" (375 mm) extended lip

## Material

- Vitreous china

## Recommended Products/Accessories

- 1048656 Sealing Liquid 128 oz
- 1048656-P Sealing Liquid - Case
- 1174866 Waterless Urinal Cleaner 3-Pack
- K-4929 Waterless Urinal Maintenance Balls



**ADA**

## Codes/Standards



ASME A112.19.2/CSA B45.1  
ASME A112.19.19  
ADA  
ICC/ANSI A117.1  
IAPMO Certification

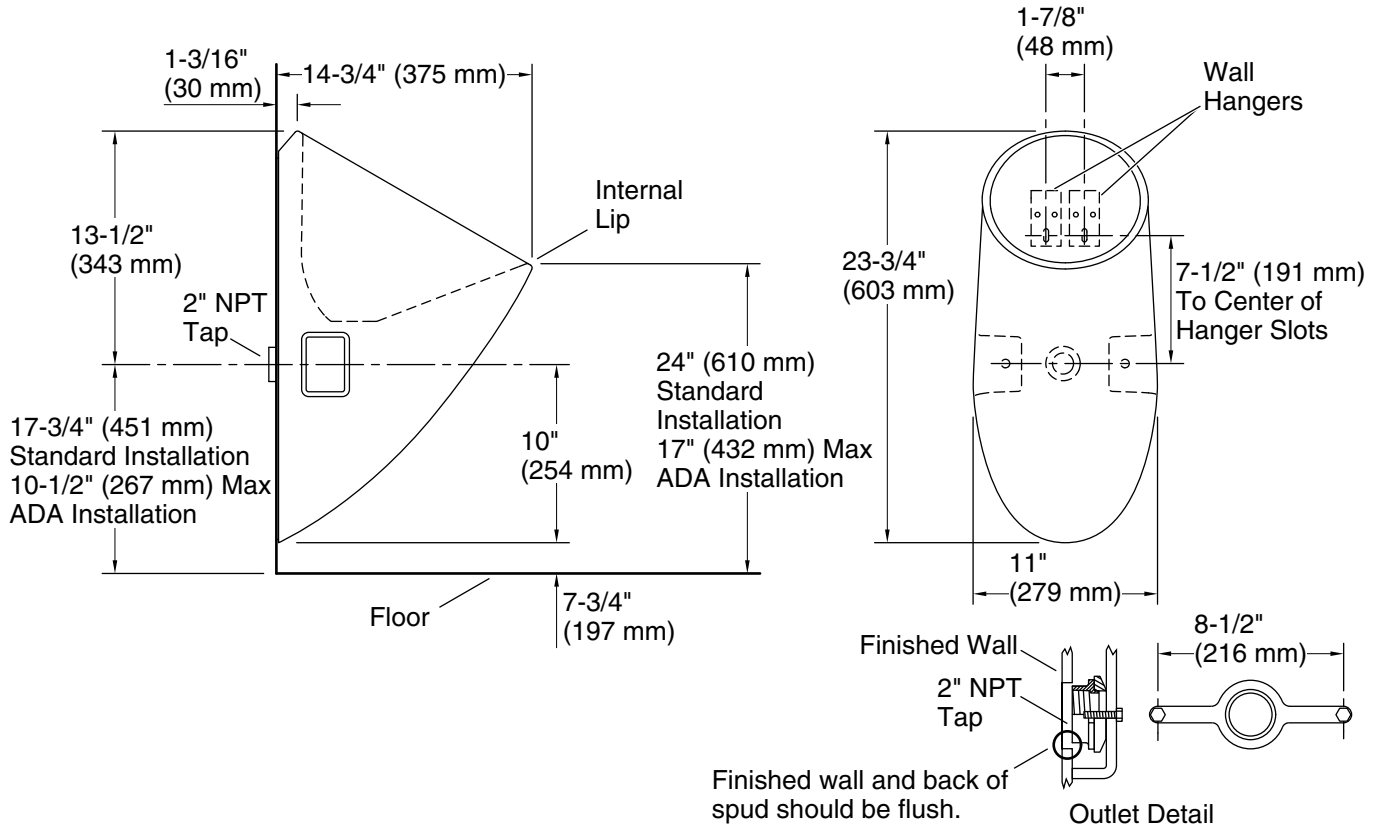
## KOHLER® One-Year Limited Warranty

See website for detailed warranty information.

## Available Colors/Finishes

*Color tiles intended for reference only.*

Color	Code	Description
	0	White
	7	Black Black™



### Technical Information

All product dimensions are nominal.

Spud size: 2", Outlet, Rear

Min. Water per Flush: 0 gpf (0 lpf)

Max. Water per Flush: 0 gpf (0 lpf)

Designed for the above water use when installed with a water-saving flushometer.

### Notes

Install this product according to the installation guide.

**CAUTION:** Risk of property damage. When connecting waterless urinals to the building drain waste vent system, do not use copper pipe or copper tube connectors. The use of a copper connector will result in corrosion of the connector and potential building structure damage caused by leakage.

Roughing-in remains the same when using the optional 3" outlet spud.

Recommended ADA outlet spud height will account for normal product variation.

For ADA compliance, measurement must be 17" (432 mm) or less from the floor to the top of the internal lip.

ADA compliant when installed to the specific requirements of these regulations.