



Branham™
Wash-down full-stall 0.5–1.0 gpf urinal, top spud
K-4920-T

Features

- Washout urinal
- 3/4" (19 mm) top spud
- One gallon or less per flush

Material

- Vitreous china

Recommended Replacements

- This product is replaced by K-25039-T Full stall washout urinal with top spud.

Recommended Products/Accessories

- K-9172 Urinal Strainer
- K-9183 Urinal Strainer
- K-23726 Drain treatment
- K-23725 Cast iron cleaner
- K-76318 Urinal flushometer, 0.5 gpf
- K-76319 Urinal flushometer, 1.0 gpf



ADA

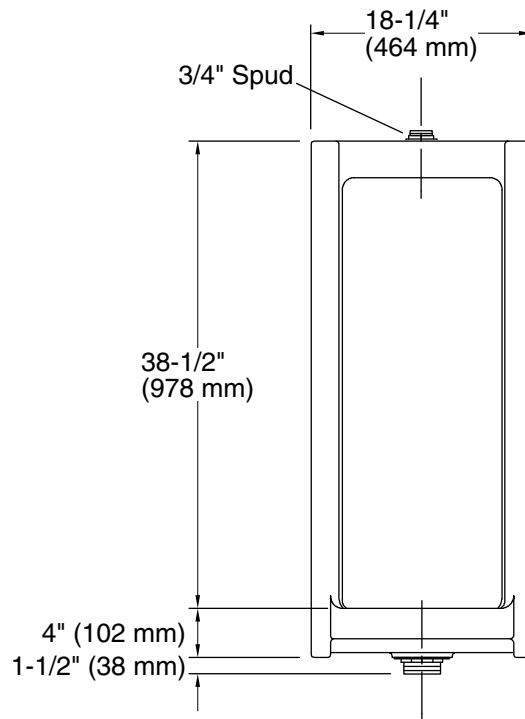
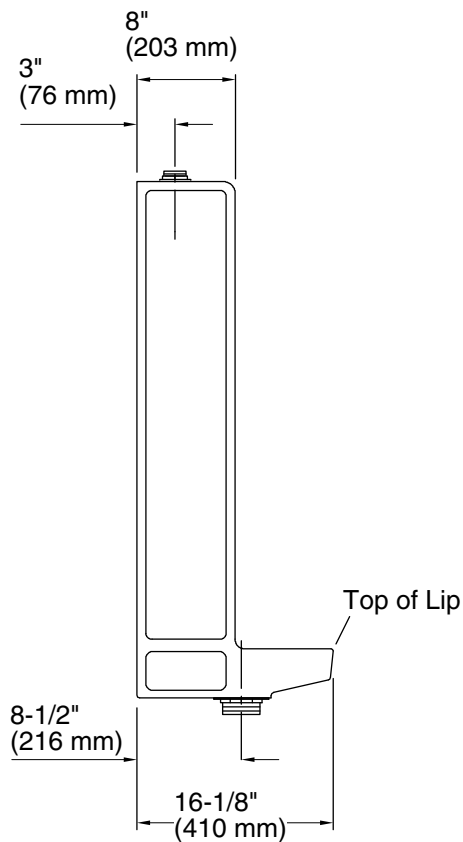
CSA B651

Codes/Standards

ASME A112.19.2/CSA B45.1
DOE - Energy Policy Act 1992
California Energy Commission (CEC)
ADA
ICC/ANSI A117.1
CSA B651
IAPMO Certification

**KOHLER® One-Year Limited
Warranty**

See website for detailed warranty information.



Technical Information

All product dimensions are nominal.

Spud size:	Inlet, Top
Min. Water per Flush:	0.5 gpf (1 lpf)
Max. Water per Flush:	1 gpf (3.8 lpf)

Designed for the above water use when installed with a water-saving flushometer.

Notes

Install this product according to the installation guide.

Refer to manufacturer's instructions and local codes for flushometer requirements.

ADA, CSA B651 compliant when installed to the specific requirements of these regulations.