

Features

- Washout urinal
- 3/4" (19 mm) rear spud
- 0.125 - 1.0 gpf (0.47 - 3.8 lpf)
- Will replace K-4904-ER
- Antimicrobial finish inhibits the growth of mold-, mildew-, stain-, and odor-causing bacteria on the fixture surface. This product does not protect users against bacteria, viruses, or other disease organisms. Always clean and wash this product thoroughly before and after each use

Material

- Vitreous china

Installation

- 14" (356 mm) extended rim



ADA

CSA B651

Codes/Standards

ASME A112.19.2/CSA B45.1
DOE - Energy Policy Act 1992
EPA WaterSense®
California Energy Commission (CEC)
ADA
ICC/ANSI A117.1
CSA B651


KOHLER® One-Year Limited Warranty

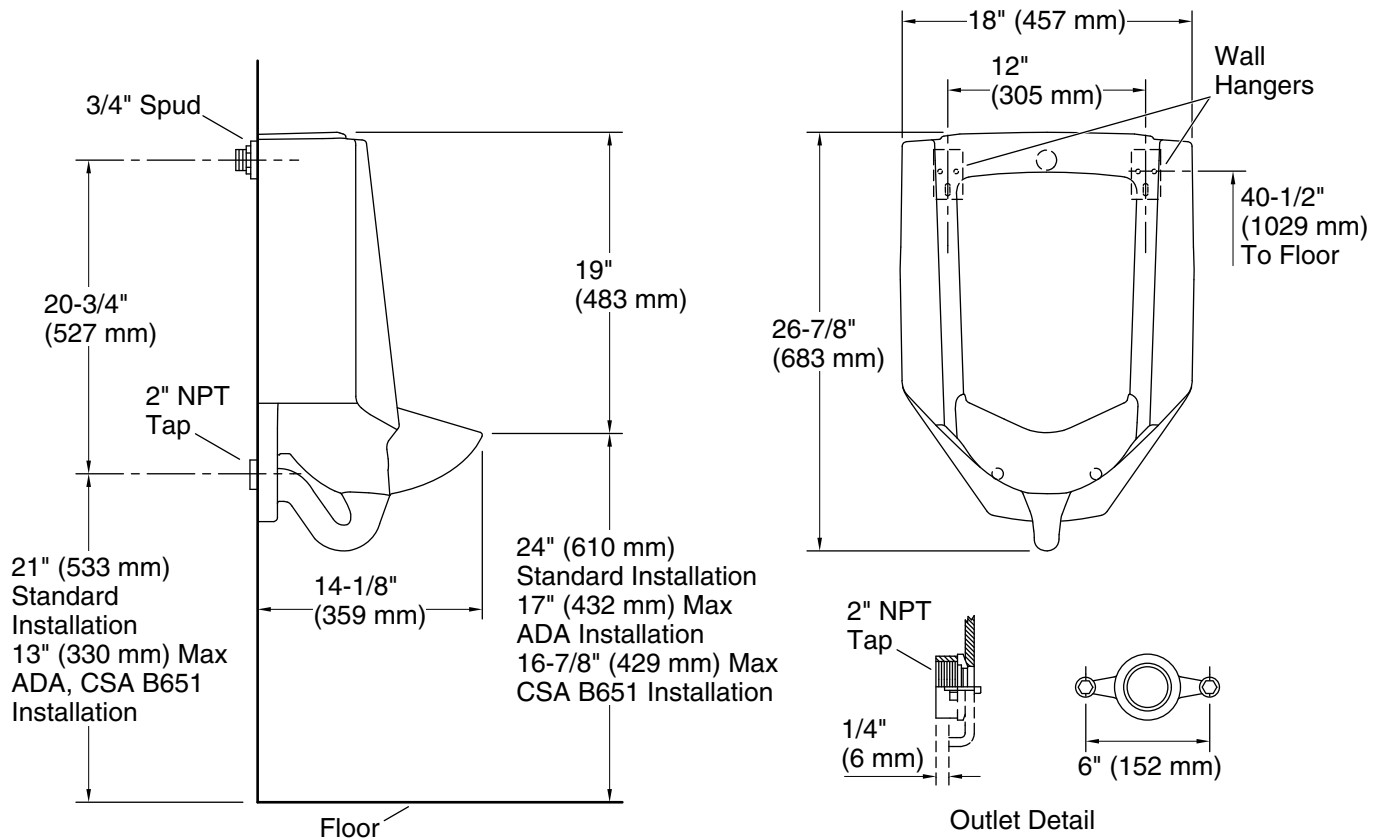
See website for detailed warranty information.

Available Colors/Finishes

Color tiles intended for reference only.

Color	Code	Description
-------	------	-------------

	0	White
---	---	-------



Technical Information

All product dimensions are nominal.

Spud size:	3/4", Inlet, Rear
Min. Water per Flush:	0.125 gpf (0.5 lpf)
Max. Water per Flush:	1 gpf (3.8 lpf)

Designed for the above water use when installed with a water-saving flushometer.

Notes

Install this product according to the installation instructions.

Refer to manufacturer's instructions and local codes for flushometer requirements.

Recommended ADA outlet spud height will account for normal product variation.

For ADA compliance, measurement must be 17" (432 mm) or less from the floor to the top of the lip. For CSA B651 compliance, measurement must be 16-7/8" (429 mm) or less from the floor to the top of the lip.

ADA, CSA B651 compliant when installed to the specific requirements of these regulations.