

### Features

- Washout urinal
- 3/4" (19 mm) rear spud
- 0.125 - 1.0 gpf (0.47 - 3.8 lpf)
- Will replace K-4904-ER

### Material

- Vitreous china

### Installation

- 14" (356 mm) extended rim

### Recommended Products/Accessories

- K-23726 Drain treatment
- K-23725 Cast iron cleaner
- K-4929 Waterless Urinal Maintenance Balls



ADA

CSA B651

### Codes/Standards

ASME A112.19.2/CSA B45.1  
DOE - Energy Policy Act 1992  
EPA WaterSense®  
California Energy Commission (CEC)  
ADA  
ICC/ANSI A117.1  
CSA B651  
NOM Standards  
NOM 002-CONAGUA


### KOHLER® One-Year Limited Warranty

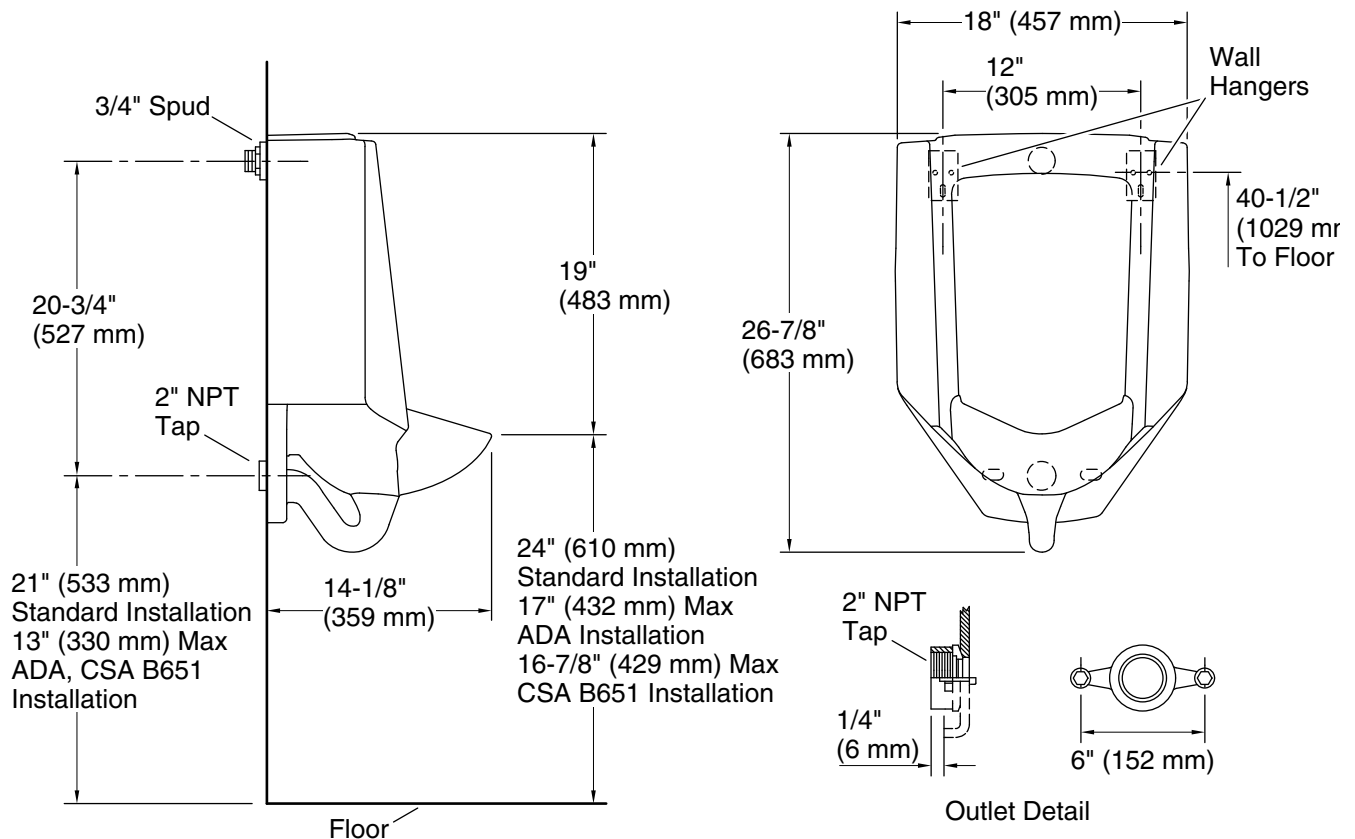
See website for detailed warranty information.

### Available Colors/Finishes

*Color tiles intended for reference only.*

#### Color Code Description

	0	White
---	---	-------



### Technical Information

All product dimensions are nominal.

Flush Type:	Washout
Spud size:	3/4", Inlet, Rear
Min. Water per Flush:	0.125 gpf (0.5 lpf)
Max. Water per Flush:	1 gpf (3.8 lpf)

Designed for the above water use when installed with a water-saving flushometer.

### Notes

Install this product according to the installation guide.

Refer to manufacturer's instructions and local codes for flushometer requirements.

Product dimensions are nominal and may vary per ASME A112.19.2 tolerances.

This product should be used with a WaterSense labeled counterpart with the same rated flush volume to ensure the complete system meets the requirements of this specification for water efficiency and performance.

ADA, CSA B651 compliant when installed to the specific requirements of these regulations.