

Features

- Siphon jet
- 3/4" (19 mm) rear spud
- 0.5 or 1.0 gpf (1.9 or 3.8 lpf) based on valve selected
- Includes inlet and outlet spuds and hangers
- Includes anti-backsplash walls
- 14-1/2"(368 mm) extended rim.

Material

- Vitreous china

Recommended Products/Accessories

- K-23726 Drain treatment
- K-23725 Cast iron cleaner



ADA

Codes/Standards

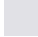


ASME A112.19.2/CSA B45.1
DOE - Energy Policy Act 1992
EPA WaterSense®
ADA
ICC/ANSI A117.1
IAPMO Certification

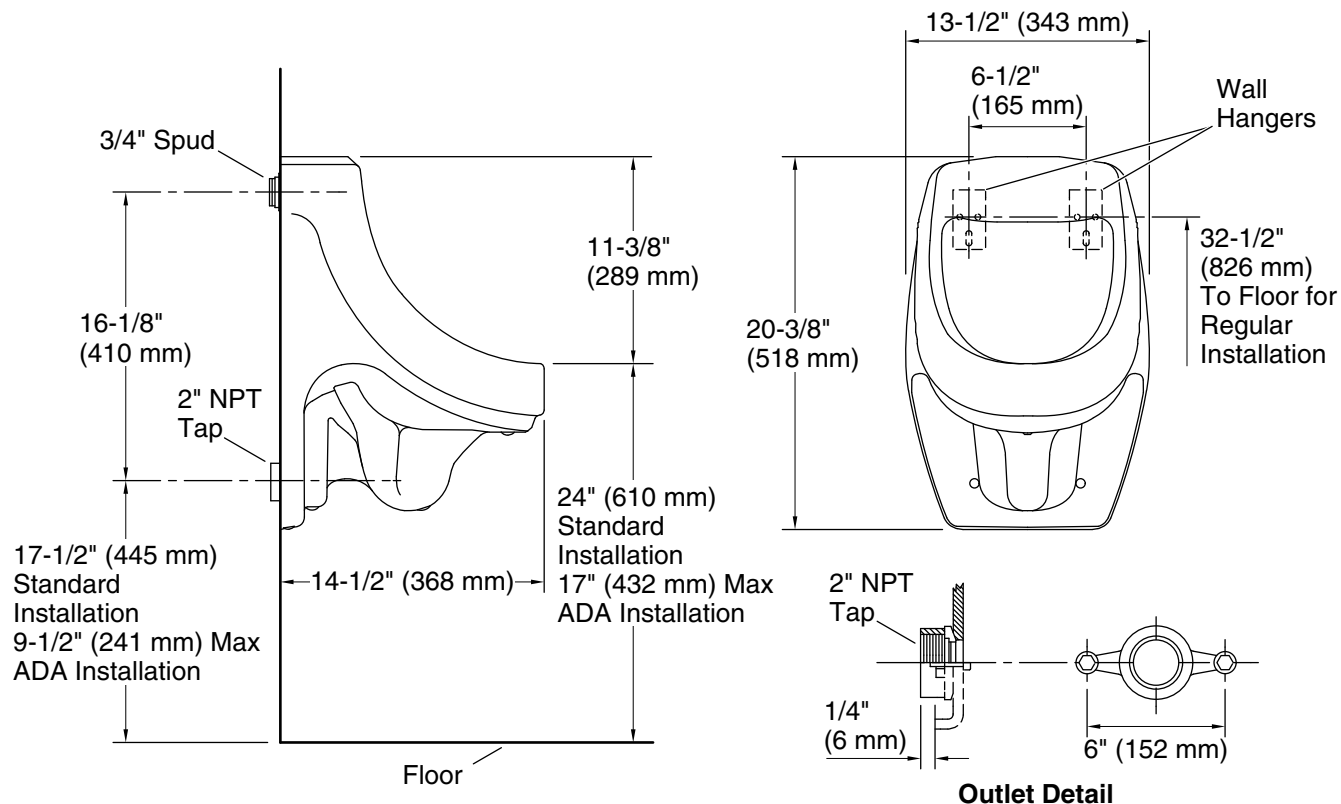
KOHLER® One-Year Limited Warranty

See website for detailed warranty information.

Available Colors/Finishes

Color tiles intended for reference only.

Color	Code	Description
	0	White
	96	Biscuit
	7	Black Black™



Technical Information

All product dimensions are nominal.

Spud size: 3/4", Outlet, Rear

Min. Water per Flush: 0.5 gpf (1 lpf)

Max. Water per Flush: 1 gpf (3.8 lpf)

Designed for the above water use when installed with a water-saving flushometer.

Notes

Install this product according to the installation guide.

Refer to manufacturer's instructions and local codes for flushometer requirements.

Recommended ADA outlet spud height will account for normal product variation.

For ADA compliance, measurement must be 17" (432 mm) or less from the floor to the top of the lip.

ADA compliant when installed to the specific requirements of these regulations.