



# Langlade®

Left-bowl sink rack  
K-5182

## Features

- Fits in the left bowl of the K-6626 Langlade Smart Divide® kitchen sink
- Helps protect sink surface from daily wear
- Innovative wheels around the perimeter provide a secure fit and reduce debris buildup
- Dishwasher-safe

## Material

- Durable stainless steel construction

## Recommended Products/Accessories

K-23729 Stainless steel cleaner



## Codes/Standards

None Applicable

## KOHLER® One-Year Limited Warranty

See website for detailed warranty information.

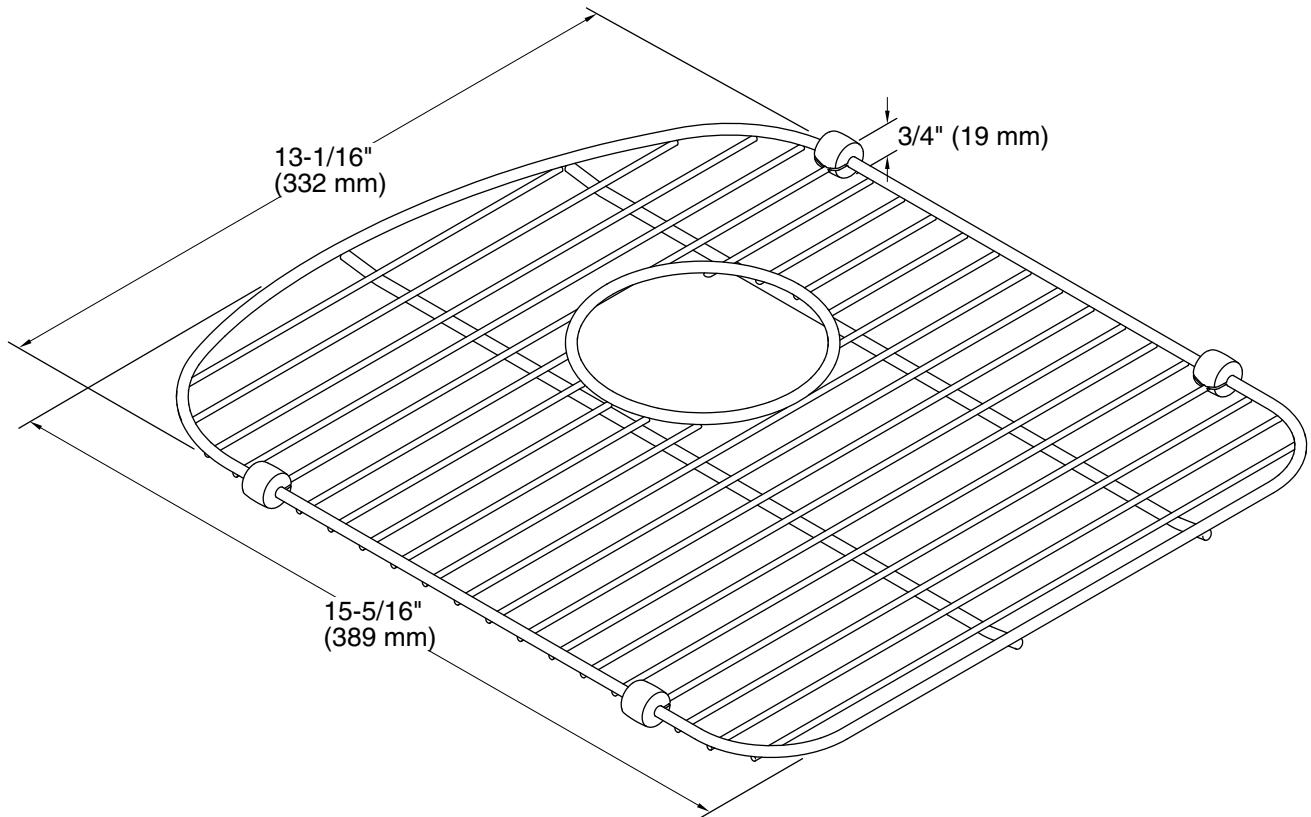
## Available Colors/Finishes

*Color tiles intended for reference only.*

Color	Code	Description
-------	------	-------------



ST	Stainless Steel
----	-----------------



## Technical Information

All product dimensions are nominal.

Material: Stainless Steel