

Features

- Aerated flow
- 202 mm (7.95 inch) spout height
- 8.70 inch (221 mm) spout reach
- High-arch spout offers superior clearance for filling pots and cleaning
- Single handle provides on/off activation, volume, and temperature control
- 21.0 lpm (5.55 gpm) maximum flow rate at 3.0 bar (43.5 psi)
- KOHLER® ceramic disc valves exceed industry longevity standards for a lifetime of durable performance

Material

- Premium material construction for durability and reliability
- KOHLER finishes resist corrosion and tarnishing

Installation

- Deck-mount



Codes/Standards

None Applicable

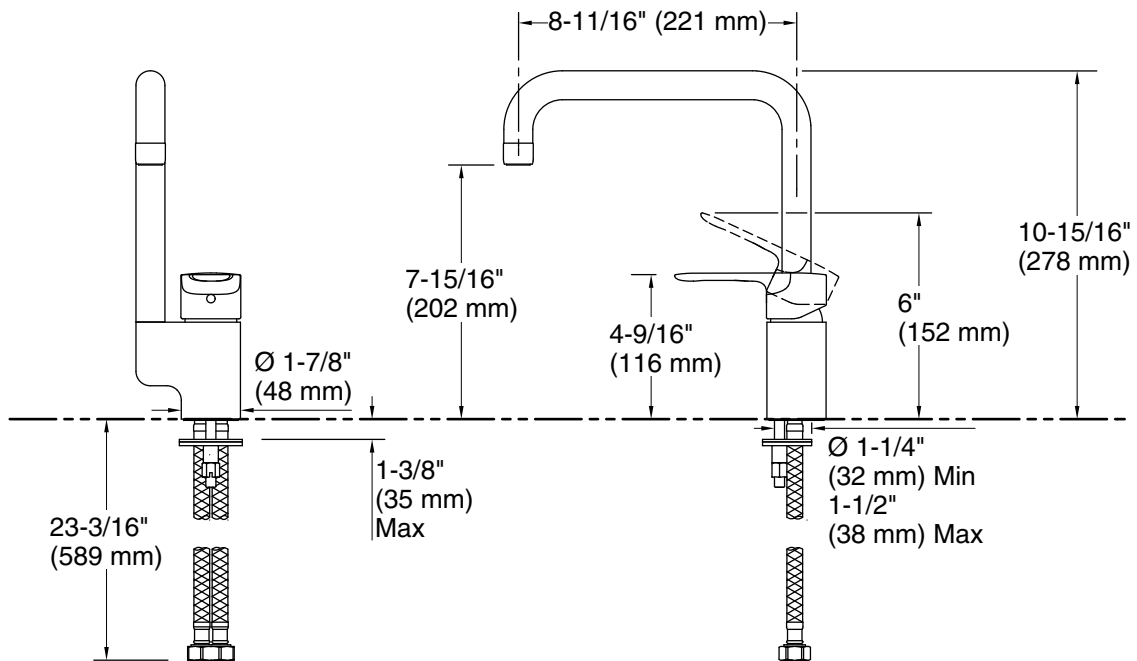
See website for detailed warranty information.

Available Colors/Finishes

Color tiles intended for reference only.

Color	Code	Description
-------	------	-------------

	CP	Polished Chrome
---	----	-----------------



Technical Information

All product dimensions are nominal.

Faucet flow rate: 5.57 gal/min (21.1 l/min)

Spout:

Spout reach: 8-11/16" (221 mm)

Notes

Install this product according to the installation instructions.