

Features

- Digitally controlled thermostatic mixing valve
- Antiscald protection
- Up to 13 gpm (49.2 lpm) flow rate at 45 psi (3.1 bar) with maximum flow of 8 gpm (30.3 lpm) from one outlet
- Two independently controllable 1/2" outlets with copper tube connections
- 1/2" (12.7 mm) inlets with copper tube connections

Material

- Reinforced engineering-grade thermoplastic body

Installation

- Mounts within standard 2" x 4" (38 x 102 mm) walls
- Install valve up to 20' away from the digital interface (cable supplied with interface)
- Distance can be extended with a standard RJ-11 phone extension cord
- Prewired with three-prong plug for connection to 110 V AC receptacle

Required Products/Accessories

K-29200 Wall-mount bath filler digital interface

or

K-29201 Wall-mount bath/shower digital interface

or

K-29202 Dual-outlet shower digital interface

or

K-29202-E Dual-outlet shower interface w/eco-mode diverter

or

K-29204 Deck-mount bath filler digital interface

or

K-29205 Deck-mount bath/shower digital interface

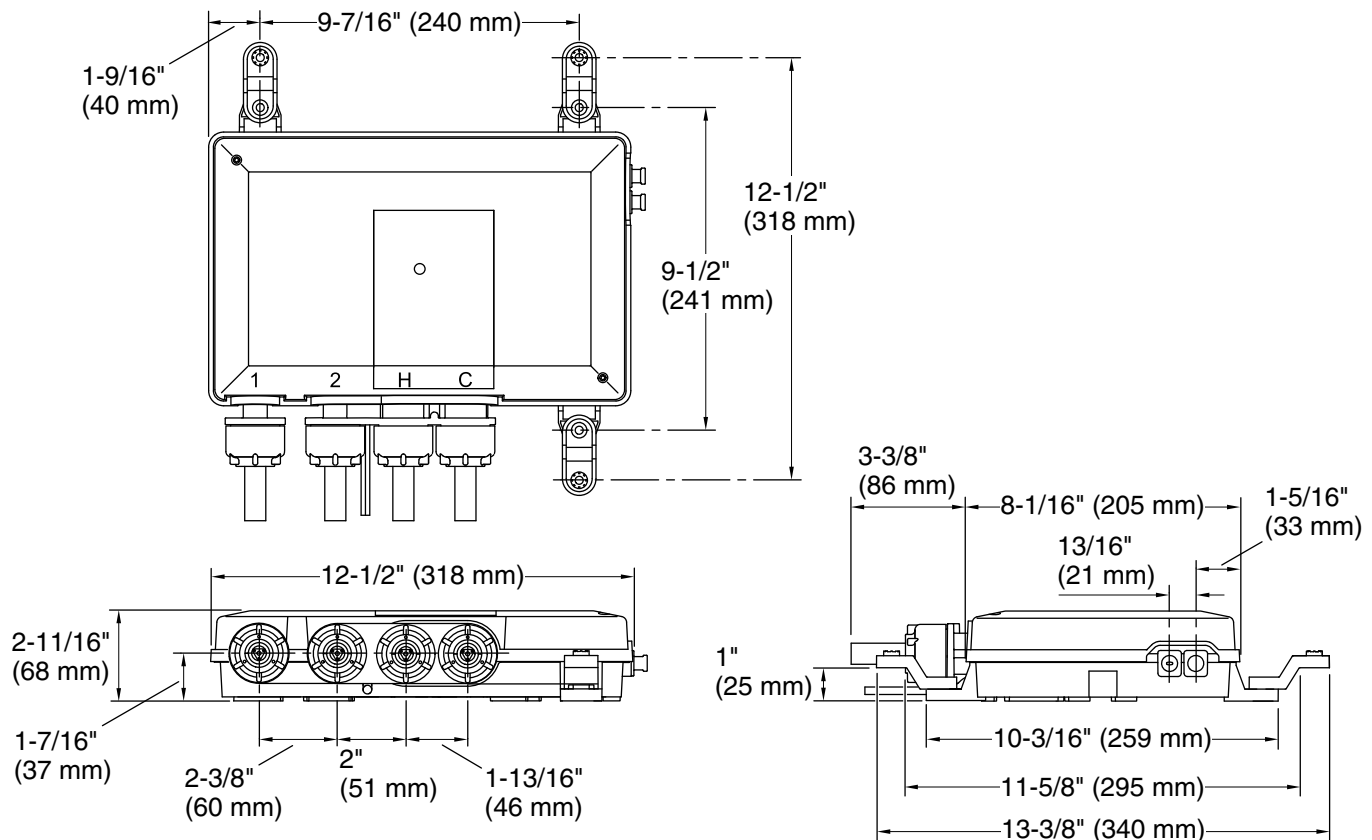


Codes/Standards

ASME A112.18.1/CSA B125.1
ASSE 1016/ASME A112.1016/CSA B125.16
UL 1951
CSA C22.2 No. 14
CSA C22.2 No. 68
IAPMO Certification
cUL Listed
UL Listed

KOHLER® Electronic Faucets, Valves, and Controls Five-Year Limited Warranty

See website for detailed warranty information.



Required Electrical Service

One circuit required, protected with Class A Ground-Fault Circuit-Interrupter (GFCI). Outside North America, this device may be known as a Residual Current Device (RCD).

Thermostatic valve: 120 V, 15 A, 60 Hz

Technical Information

All product dimensions are nominal.

Power source: Plug - AC, included

Shower Valve:

Flow Rate (Max) @ 45 psi	13 gal/min (49.2 l/min)
Manufacturer's minimum rated flow:	1.6 gal/min (6.1 l/min)
Pressure:	45 psi (3.1 bar)
Maximum (Static) Pressure:	125 psi (8.6 bar)
Minimum (Operating) Pressure:	20 psi (1.4 bar)

Drain included: No

Electrical component rating: Thermostatic valve: 120 V, 0.160 A, 60 Hz

Handshower:

Rated maximum flow: 0 gal/min (0 l/min)

Notes

Install this product according to the installation instructions.

For use with showerheads or handsprays rated at 1.6 gal/min (6.1 l/min) or higher.

If used for bath-shower system, the bath spout must be connected to the #1 outlet port.

Provide access for servicing valve.

Use 1/2" supply lines.

Do not install this valve in walls exposed to subfreezing temperatures.

Avoid mounting the valve in a wall adjacent to a frequently occupied room.

Pressure regulators are recommended in applications where large pressure swings are anticipated or pressure differences between the supplies exist.

Water hammer arrestors and shut-offs are required in both the hot and cold supplies.

Shower drain capacity must meet the shower system flow rate.