



Iron Plains®

18-1/2" rectangular vessel bathroom sink
K-5400-PAT

Features

- Rectangular basin
- No faucet holes; requires wall- or counter-mount faucet
- With overflow
- Enameled Teal interior and painted Teal underside

Material

- KOHLER® enameled cast iron
- Acid-resistant enamel finish

Installation

- Vessel

Recommended Products/Accessories

- K-23726 Drain treatment
- K-23725 Cast iron cleaner

Optional Products/Accessories

- 52047 Clamp Accessory Pack, 4 Ea.

Included Components

- 1193643 Basin clamps



ADA CSA B651

Codes/Standards

ASME A112.19.1/CSA B45.2
ADA
ICC/ANSI A117.1
CSA B651
IAPMO Certification


KOHLER® Enameled Cast Iron Kitchen and Bathroom Sink Lifetime Limited Warranty

See website for detailed warranty information.

Available Colors/Finishes

Color tiles intended for reference only.

Color Code Description

| | | |
|---|----|------|
|  | 17 | Teal |
|---|----|------|

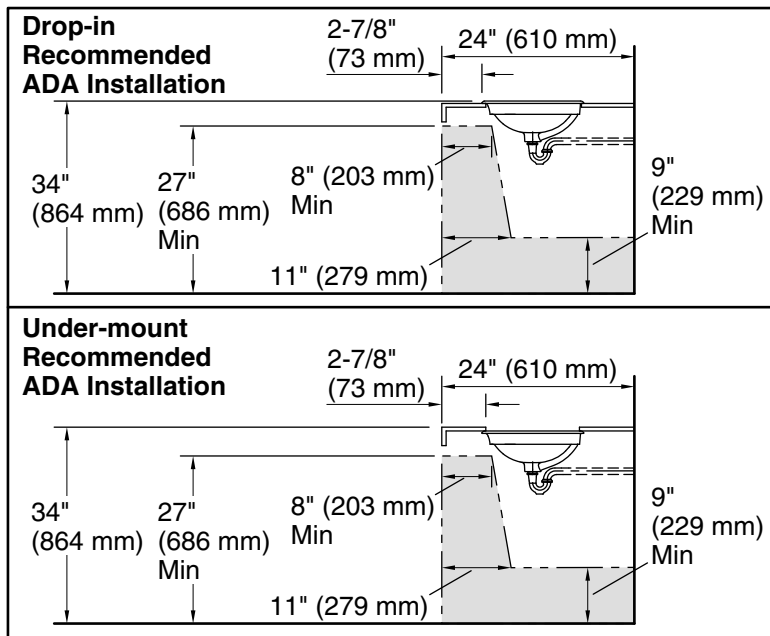
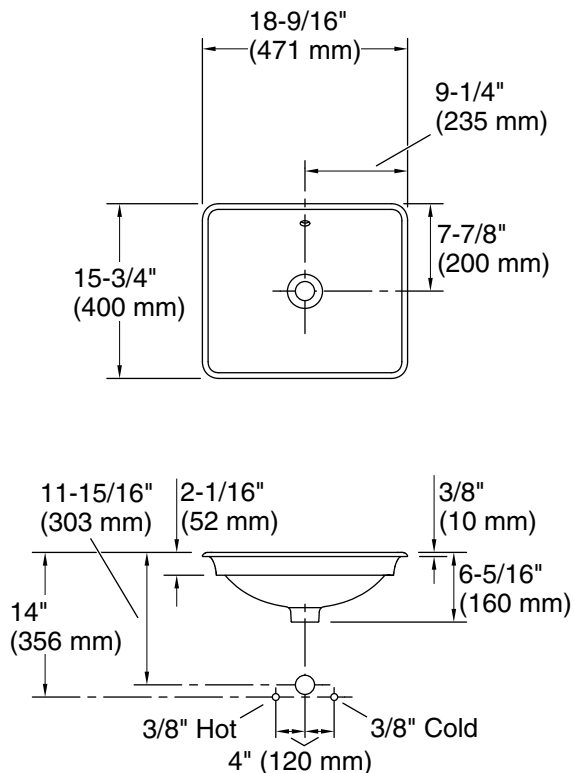
1-800-4KOHLER (1-800-456-4537)

Kohler Co. reserves the right to make revisions without notice to product specifications.

For the most current Specification Sheet, go to www.kohler.com USA or www.kohler.ca Canada

10-18-2024 01:02 - US/CA

THE BOLD LOOK
OF **KOHLER**®



Technical Information

All product dimensions are nominal.

| | |
|----------------------|--|
| Basin configuration: | Single Bowl |
| Bowl area (Only): | Length: 17-1/2" (445 mm) Width: 14-3/4" (375 mm) Bowl depth: 4-9/16" (116 mm) Water depth: 2-15/16" (74 mm) |
| With overflow: | Yes |
| Drain hole: | 1-3/4" (45 mm) |
| Template: | 1222632-7, required, included |

Notes

Install this product according to the installation instructions.

NOTICE: Countertop manufacturer or cutter must use the cut-out template provided with the product, or a current one provided by Kohler Co. (call 1-800-4KOHLER). Kohler Co. is not responsible for cutout errors when the incorrect cut-out template is used.

ADA, CSA B651 compliant when installed to the specific requirements of these regulations.