

## Features

- Compact, streamlined one-piece smart toilet with integrated personal cleansing
- Elongated bowl offers added room and comfort
- Comfort Height® feature offers chair-height seating that makes sitting down and standing up easier for most adults
- Tankless design with direct water supply
- Stainless steel wand offers adjustable spray shape, position, water pressure, temperature, pulsate, and oscillate functions
- Front and rear wash modes provide warm water for cleansing
- Self-cleaning function uses UV light and electrolyzed water systems to automatically clean the wand surfaces
- Warm-air drying system with adjustable temperature settings
- Automatic deodorization system
- Heated seat with adjustable temperature settings
- Motion-activated, hands-free opening/closing of cover
- Quiet-Close™ elongated lid and seat prevents slamming
- LED lighting illuminates the bowl to serve as a nightlight
- English-language touch-screen LCD remote control
- Emergency flush supports up to 100 flushes during power outage with simple touch-button activation
- Dual-flush technology allows you to choose between a full or partial flush
- Pump-assisted flushing for strong flush performance
- Dual flush offers a choice of 0.8 or 1.28 gpf (3.0 or 4.5 lpf)

## Installation

- Standard 12" (305 mm) rough-in

## Recommended Products/Accessories

K-23726 Drain treatment



|            |                 |            |
|------------|-----------------|------------|
| <b>ADA</b> | <b>CSA B651</b> | <b>OBC</b> |
|------------|-----------------|------------|

## Codes/Standards

ASME A112.19.2/CSA B45.1  
 ASME A112.4.2/CSA B45.16  
 ASME A112.19.14  
 DOE - Energy Policy Act 1992  
 EPA WaterSense®  
 California Energy Commission (CEC)  
 UL 1951  
 CSA C22.2 No. 14  
 CSA C22.2 No. 68  
 ADA  
 ICC/ANSI A117.1  
 CSA B651  
 OBC  
 cUL Listed  
 UL Listed

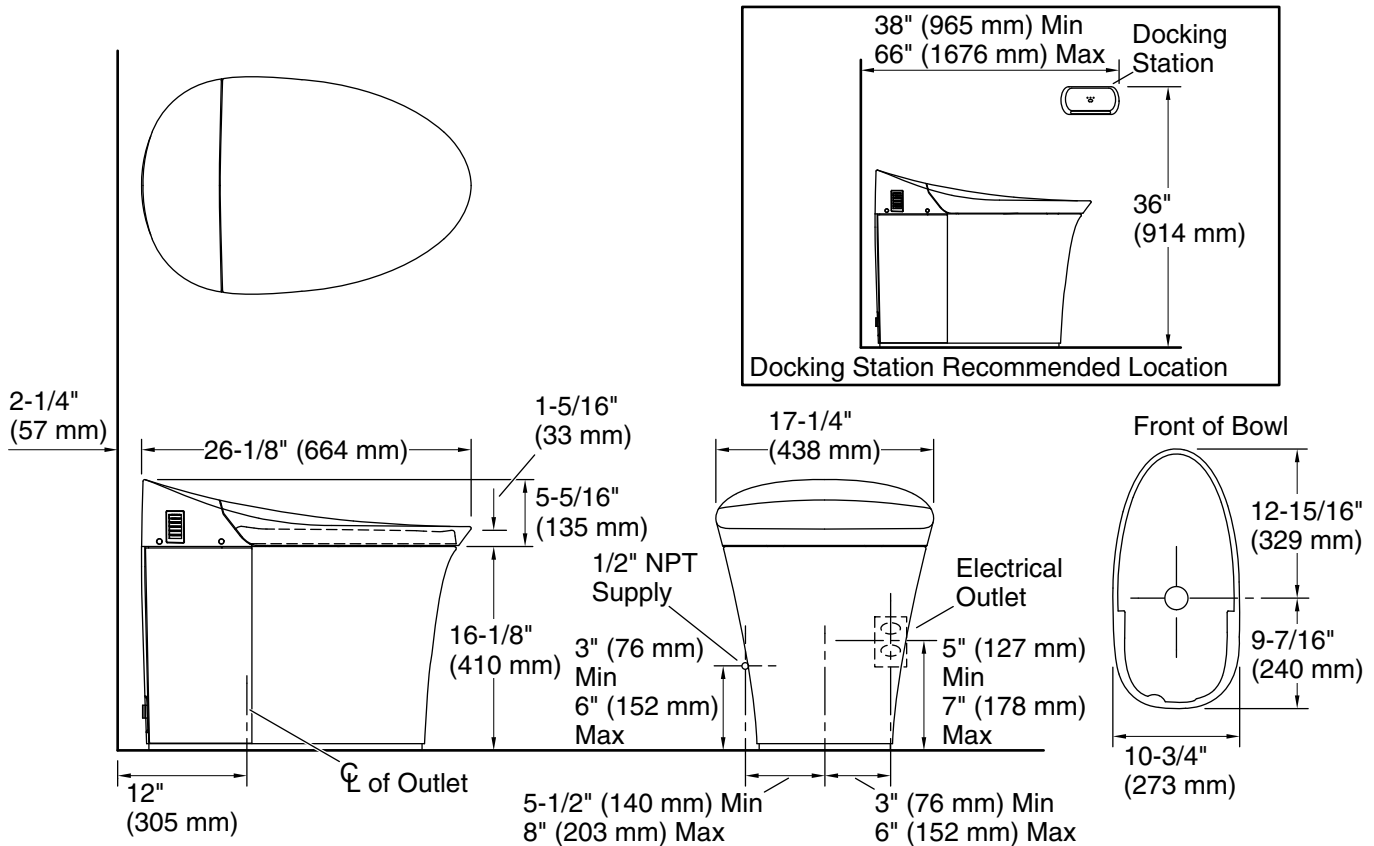
## KOHLER® Intelligent Toilet and C3® Cleansing Seat Three-Year Limited Warranty

See website for detailed warranty information.

## Available Colors/Finishes

*Color tiles intended for reference only.*

| Color | Code | Description |
|-------|------|-------------|
|       | 0    | White       |
|       | HB1  | Honed Black |



## Required Electrical Service

One dedicated circuit required, protected with Class A Ground-Fault Circuit-Interrupter (GFCI). Outside North America, this device may be known as a Residual Current Device (RCD).

120 V, 15 A, 60 Hz

## Technical Information

All product dimensions are nominal.

|                     |                                     |
|---------------------|-------------------------------------|
| Toilet type:        | Floor-mount                         |
| Waste Outlet:       | Floor                               |
| Bowl shape:         | Elongated                           |
| Flush type:         | Class Five                          |
| Trap passageway:    | 1-15/16" (49 mm)                    |
| Water surface size: | 7-15/16" x 5-5/8" (202 mm x 143 mm) |
| Rough-in:           | 12" (305 mm)                        |

## Fixture Supply Requirements

Min flow rate: 6 gpm (22.7 lpm)

## Notes

Install this product according to the installation instructions.

This product is designed for installation with the electrical and water supplies located through either the wall or the floor.

**IMPORTANT!** Use the supply hoses provided with the fixture. Do not reuse the previously installed hoses.

Installation of a water hammer arrestor is recommended.

ADA, OBC, CSA B651 compliant when installed to the specific requirements of these regulations.

Plumbing codes may require elongated toilets and elongated, open-front seats in public bathrooms.

Accessibility standards may require controls to be located on the open side of the toilet.