

Features

- Compact, streamlined one-piece smart toilet with integrated personal cleansing
- Elongated bowl offers added room and comfort
- Tankless design with direct water supply
- Dual flush offers a choice of 0.8 or 1.28 gpf (3.0 or 4.8 lpf)
- Front and rear wash modes provide warm water for cleansing
- Self-cleaning function uses UV light and electrolyzed water systems to clean the wand surfaces
- Warm-air drying system with adjustable temperature settings
- Automatic deodorization system
- Heated seat with adjustable temperature settings
- Motion-activated, hands-free opening/closing of cover
- Quiet-Close™ elongated lid and seat prevents slamming
- LED lighting illuminates the bowl to serve as a nightlight
- Integrated bidet functionality featuring a single bidet wand made of stainless steel
- Adjustable spray shape, position, water pressure, water temperature, pulsate, and oscillate functions for the bidet wand
- Touch-screen LCD remote control
- Emergency back-up flush feature for power outages

Material

- Vitreous china

Installation

- Standard 12" (305 mm) rough-in
- For optimum flushing performance, a minimum water supply flow rate of 9.0 gallons per minute or 1.5 gallons in 10 seconds must be confirmed, prior to installation

Recommended Replacements

- This product is replaced by K-5401-PA One-piece compact elongated smart toilet, dual-flush.

Recommended Products/Accessories

K-23726 Drain treatment

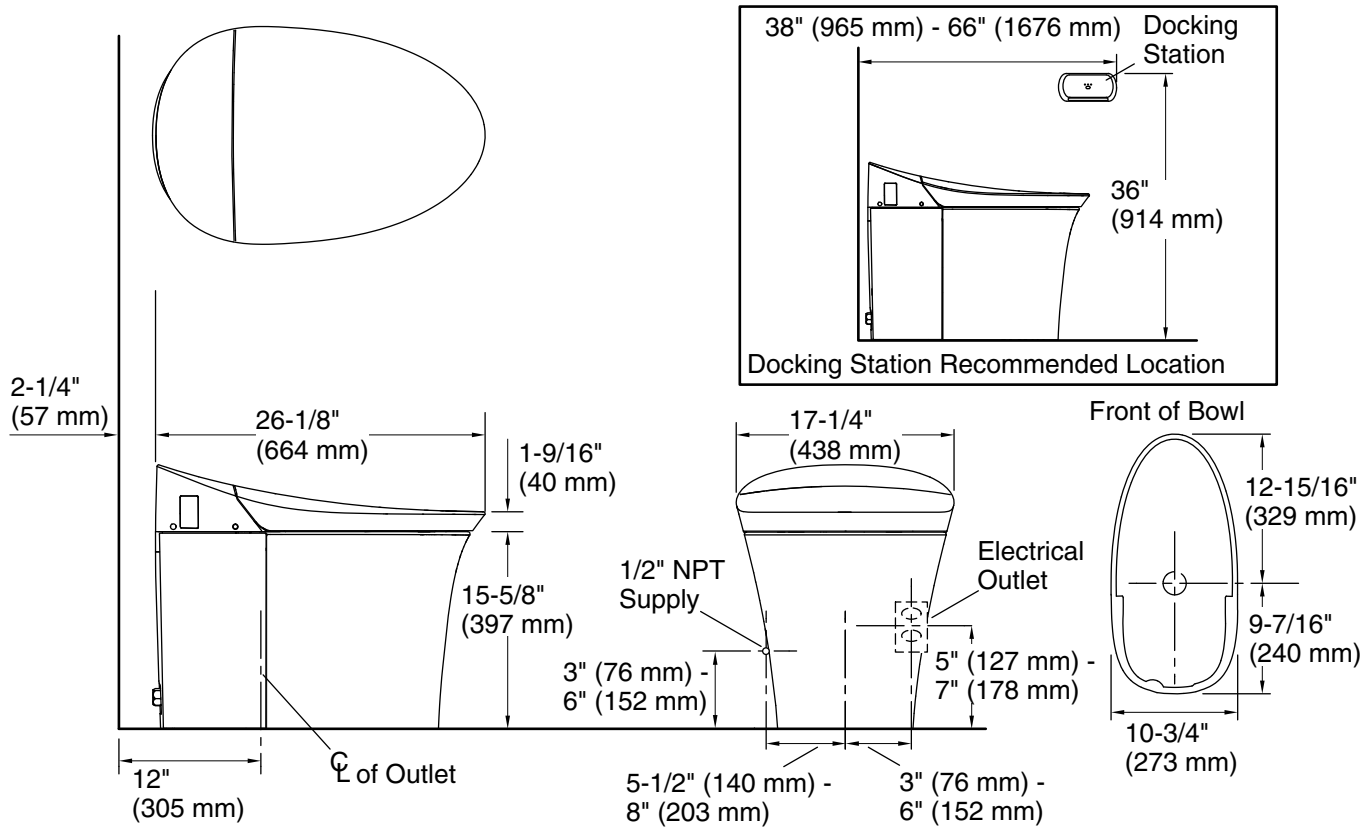


Codes/Standards

ASME A112.19.2/CSA B45.1
ASME A112.19.14
ASME A112.4.2/CSA B45.16
DOE - Energy Policy Act 1992
EPA WaterSense®
California Energy Commission (CEC)
UL 1951
CSA C22.2 No. 14
CSA C22.2 No. 68
IAPMO Certification
cUL Listed
UL Listed

KOHLER® Intelligent Toilet and C3® Cleansing Seat Three-Year Limited Warranty

See website for detailed warranty information.



Required Electrical Service

One dedicated circuit required, protected with Class A Ground-Fault Circuit-Interrupter (GFCI). Outside North America, this device may be known as a Residual Current Device (RCD).

120 V, 15 A, 60 Hz

Technical Information

All product dimensions are nominal.

Toilet type:	Floor-mount
Waste Outlet:	Floor
Bowl shape:	Elongated
Flush type:	Dual-Flush Technology
Trap passageway:	2-1/8" (54 mm)
Water surface size:	7-15/16" x 5-5/8" (202 mm x 143 mm)
Rough-in:	12" (305 mm)

Notes

Install this product according to the installation instructions.

This product is designed for installation with the electrical and water supplies located through either the wall or the floor.

IMPORTANT! Use the supply hoses provided with the fixture. Do not reuse the previously installed hoses.