

Features

- One-piece wall-hung toilet with integrated cleansing functionality
- Elongated bowl offers added room and comfort
- Mounting hardware is completely concealed for sleek looks and easy cleaning
- Dual flush offers a choice of 0.8 or 1.6 gpf (3.0 or 6.0 lpf)
- Stainless steel wand offers adjustable spray shape, position, water pressure, temperature, pulsate, and oscillate functions
- Front and rear wash modes provide warm water for cleansing
- Self-cleaning function uses UV light and electrolyzed water systems to automatically clean the wand surfaces
- Warm-air drying system with adjustable temperature settings
- Automatic deodorization system
- Heated seat with adjustable temperature settings
- Motion-activated, hands-free opening/closing of cover
- Automatically flushes toilet after use
- LED lighting illuminates the bowl to serve as a nightlight
- English-language touch-screen LCD remote control
- Touchless actuator plate in Honed White
- Dual-flush technology allows you to choose between a full or partial flush
- Includes complete toilet and seat, in-wall tank and carrier, actuator plate, and LCD remote control

Installation

- See installation guide and installation video for more detailed information
- This product is not designed or intended for bariatric use

Recommended Products/Accessories

K-23726 Drain treatment

Included Components

K-18647 In-wall tank and carrier for K-76395 Veil® wall-hung smart toilet
K-76395 Wall-hung compact elongated smart toilet bowl, dual-flush



ADA **CSA B651** **OBC**

Codes/Standards

ASME A112.19.2/CSA B45.1
ASME A112.19.14
ASME A112.4.2/CSA B45.16
ASME A112.6.2
DOE - Energy Policy Act 1992
EPA WaterSense®
California Energy Commission (CEC)
UL 1951
CSA C22.2 No. 14
CSA C22.2 No. 68
ADA
ICC/ANSI A117.1
CSA B651
OBC
IAPMO Certification

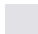
KOHLER® Intelligent Toilet and C3® Cleansing Seat Three-Year Limited Warranty

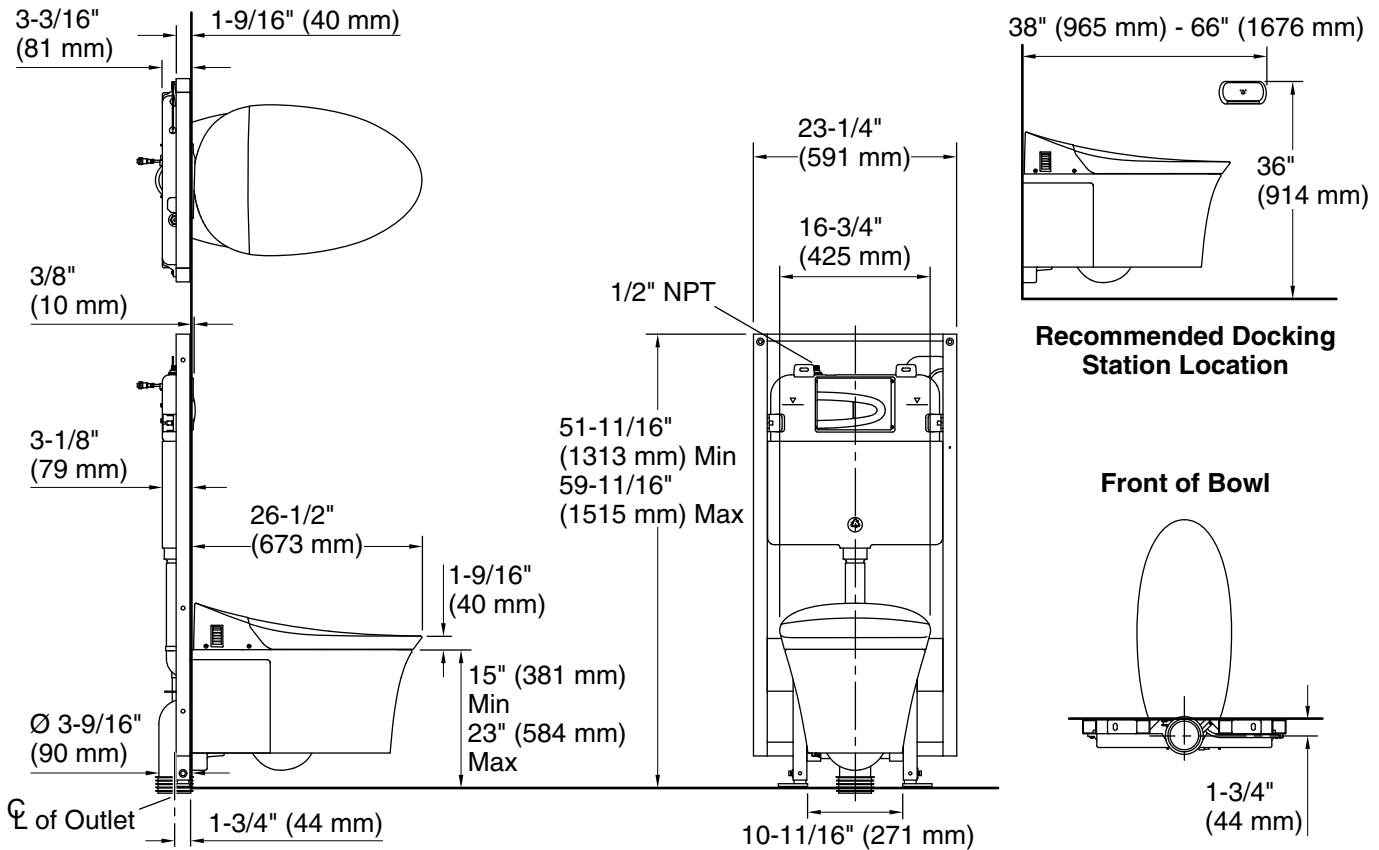
See website for detailed warranty information.

Available Colors/Finishes

Color tiles intended for reference only.

Color Code Description

 0 White



Required Electrical Service

One dedicated circuit required.

120 V, 15 A, 60 Hz

Technical Information

All product dimensions are nominal.

Toilet type:	Wall-mount
Waste Outlet:	Wall
Bowl shape:	Elongated
Flush type:	Class Five
Trap passageway:	2-9/16" (65 mm)
Rough-in:	12" (305 mm)
Seat-mounting holes:	5-1/2" (140 mm)

Notes

Install this product according to the installation instructions.

Requires 2x4 or 2x6 stud construction.

Refer to manufacturer's instructions and local codes for flush valve requirements.

In-wall tank and carrier system install in wall opening 3-3/16" (81 mm) x 23-1/4" (591 mm) x 51-11/16" (1313 mm) minimum.

Maximum inlet water temperature shall not exceed 80°F (26.7°C).

ADA, OBC, CSA B651 compliant when installed to the specific requirements of these regulations.

Plumbing codes may require elongated toilets and elongated, open-front seats in public bathrooms.

Accessibility standards may require controls to be located on the open side of the toilet.