



Iron Plains®
bathroom sink with Lavender Grey painted underside
K-5403-LG

Features

- Oval basin
- No faucet holes; requires wall- or counter-mount faucet
- Overflow drain

Material

- KOHLER® enameled cast iron
- Lavender Grey interior and painted underside

Installation

- Vessel

Recommended Products/Accessories

- K-23726 Drain treatment
- K-23725 Cast iron cleaner



ADA

CSA B651

Codes/Standards

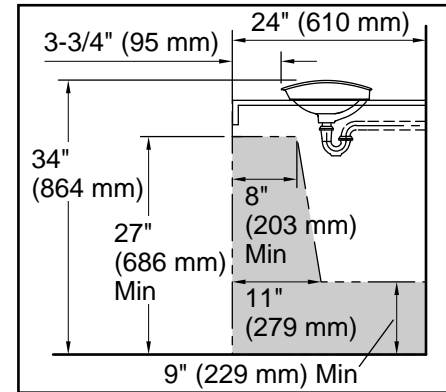
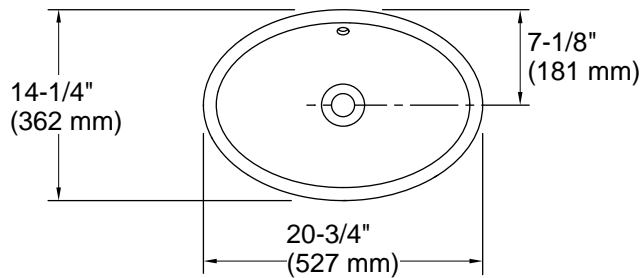
ASME A112.19.1/CSA B45.2
ADA
ICC/ANSI A117.1
CSA B651
IAPMO Certification

**KOHLER® Enameled Cast Iron
Kitchen and Bathroom Sink Lifetime
Limited Warranty**

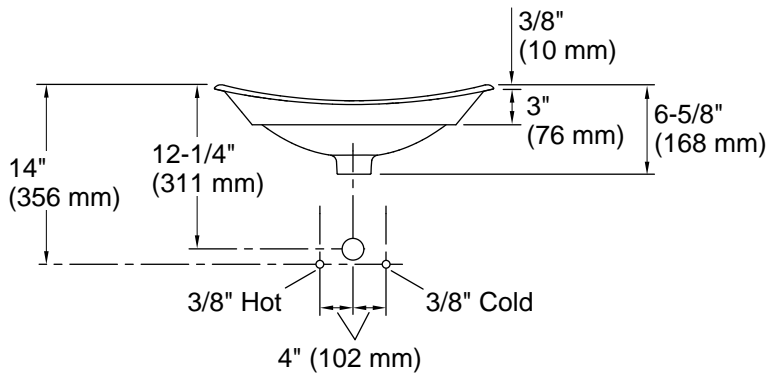
See website for detailed warranty information.



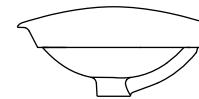
Iron Plains®
bathroom sink with Lavender Grey painted underside
K-5403-LG



Recommended ADA Installation



Standard Installation



Technical Information

All product dimensions are nominal.

- Basin configuration: Single Bowl
- Bowl area: Length: 19-3/4" (501 mm)
Width: 13-1/4" (337 mm)
Bowl depth: 4-15/16" (126 mm)
Water depth: 2-1/4" (58 mm)
- With overflow: Yes
- Drain hole: 1-3/4" (44 mm)
- Template: 1222633-7, required, included

Notes

Install this product according to the installation instructions.

NOTICE: Countertop manufacturer or cutter must use the cut-out template provided with the product, or a current one provided by Kohler Co. (call 1-800-4-KOHLER). Kohler Co. is not responsible for cutout errors when the incorrect cut-out template is used.

ADA, CSA B651 compliant when installed to the specific requirements of these regulations.