



# Iron Plains®

20-3/4" oval vessel bathroom sink  
K-5403-P5

## Features

- Oval basin
- No faucet holes; requires wall- or counter-mount faucet
- Overflow drain
- Iron Black painted underside

## Material

- KOHLER® enameled cast iron

## Installation

- Vessel

## Recommended Products/Accessories

- K-23726 Drain treatment
- K-23725 Cast iron cleaner



ADA

CSA B651

## Codes/Standards






ASME A112.19.1/CSA B45.2  
ADA  
ICC/ANSI A117.1  
CSA B651  
IAPMO Certification

## KOHLER® Enameled Cast Iron Kitchen and Bathroom Sink Lifetime Limited Warranty

See website for detailed warranty information.

## Available Colors/Finishes

*Color tiles intended for reference only.*

| Color   | Code | Description  |
|---|------|--------------|
|  | 0    | White        |
|  | FF   | Sea Salt™    |
|  | 96   | Biscuit      |
|  | NY   | Dune         |
|  | 7    | Black Black™ |

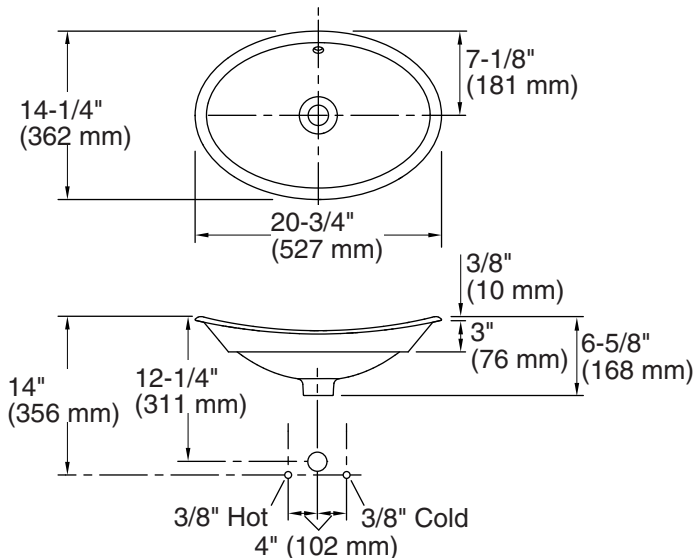
1-800-4KOHLER (1-800-456-4537)

Kohler Co. reserves the right to make revisions without notice to product specifications.

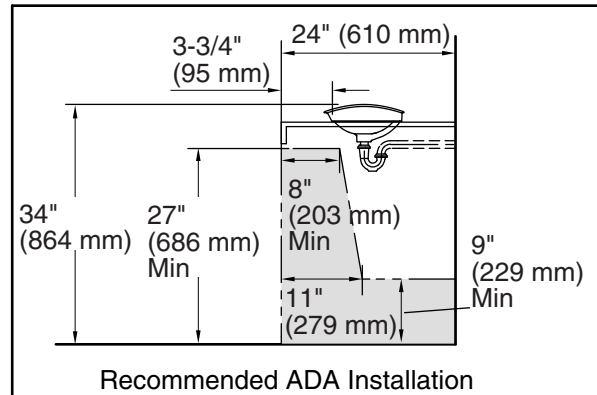
For the most current Specification Sheet, go to [www.kohler.com](http://www.kohler.com) USA or [www.kohler.ca](http://www.kohler.ca) Canada

10-15-2024 19:50 - US/CA

THE BOLD LOOK  
OF **KOHLER**®



Standard Installation



Recommended ADA Installation

### Technical Information

All product dimensions are nominal.

|                      |                               |
|----------------------|-------------------------------|
| Basin configuration: | Single Bowl                   |
| Bowl area:           | Length: 19-3/4" (501 mm)      |
|                      | Width: 13-1/4" (337 mm)       |
|                      | Bowl depth: 4-15/16" (126 mm) |
|                      | Water depth: 2-1/4" (58 mm)   |
| With overflow:       | Yes                           |
| Template:            | 1222633-7, required, included |

### Notes

Install this product according to the installation instructions.

**NOTICE:** Countertop manufacturer or cutter must use the cut-out template provided with the product, or a current one provided by Kohler Co. (call 1-800-4-KOHLER). Kohler Co. is not responsible for cutout errors when the incorrect cut-out template is used.

ADA, CSA B651 compliant when installed to the specific requirements of these regulations.