



Strive®
Sink rack for Strive® kitchen sink
K-5411

Features

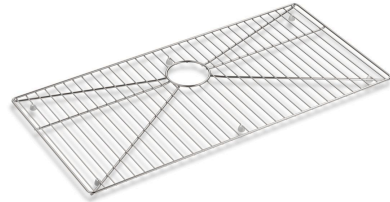
- Included with the K-5283-NA Strive kitchen sink
- Helps protect sink surface from daily wear
- Dishwasher-safe
- Rubber feet provide added protection

Material

- Durable stainless steel construction

Recommended Products/Accessories

K-23729 Stainless steel cleaner



Codes/Standards


None Applicable

**KOHLER® One-Year Limited
Warranty**

See website for detailed warranty information.

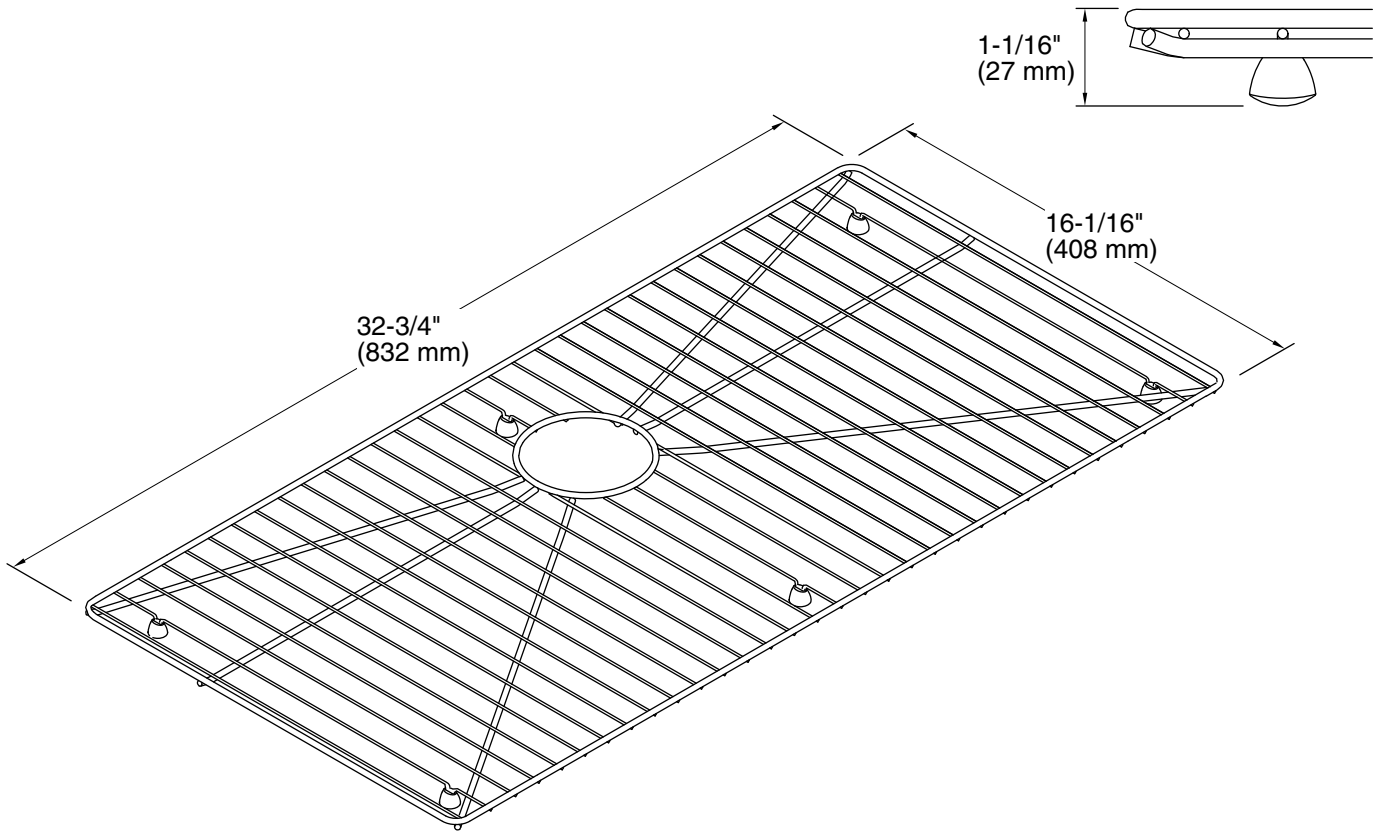
Available Colors/Finishes

Color tiles intended for reference only.

Color	Code	Description
	ST	Stainless Steel



Strive®
Sink rack for Strive® kitchen sink
K-5411



Technical Information

All product dimensions are nominal.

Material: Stainless Steel