



Solid/Expressions®

61" vanity top with double Verticyl® rectangular cutout
K-5433

Features

- Pairs with KOHLER Verticyl oval undermount bathroom sinks or other KOHLER 17" x 14" (432 x 356 mm) oval undermount bathroom sinks
- Pilot holes for 4" (102 mm) centerset, 8" (203 mm) widespread, or single-hole faucet installation
- Sculpted edge
- Optional side and backsplashes available (sold separately)

Material

- Solid surface

Installation

- Field trimmable
- Vanity top
- Includes mounting hardware for sinks
- Accommodates single, 4" centerset, and 8" widespread faucet configurations

Required Products/Accessories

K-2881 19-1/4" oval undermount bathroom sink

Recommended Products/Accessories

K-23723 Faucet cleaner

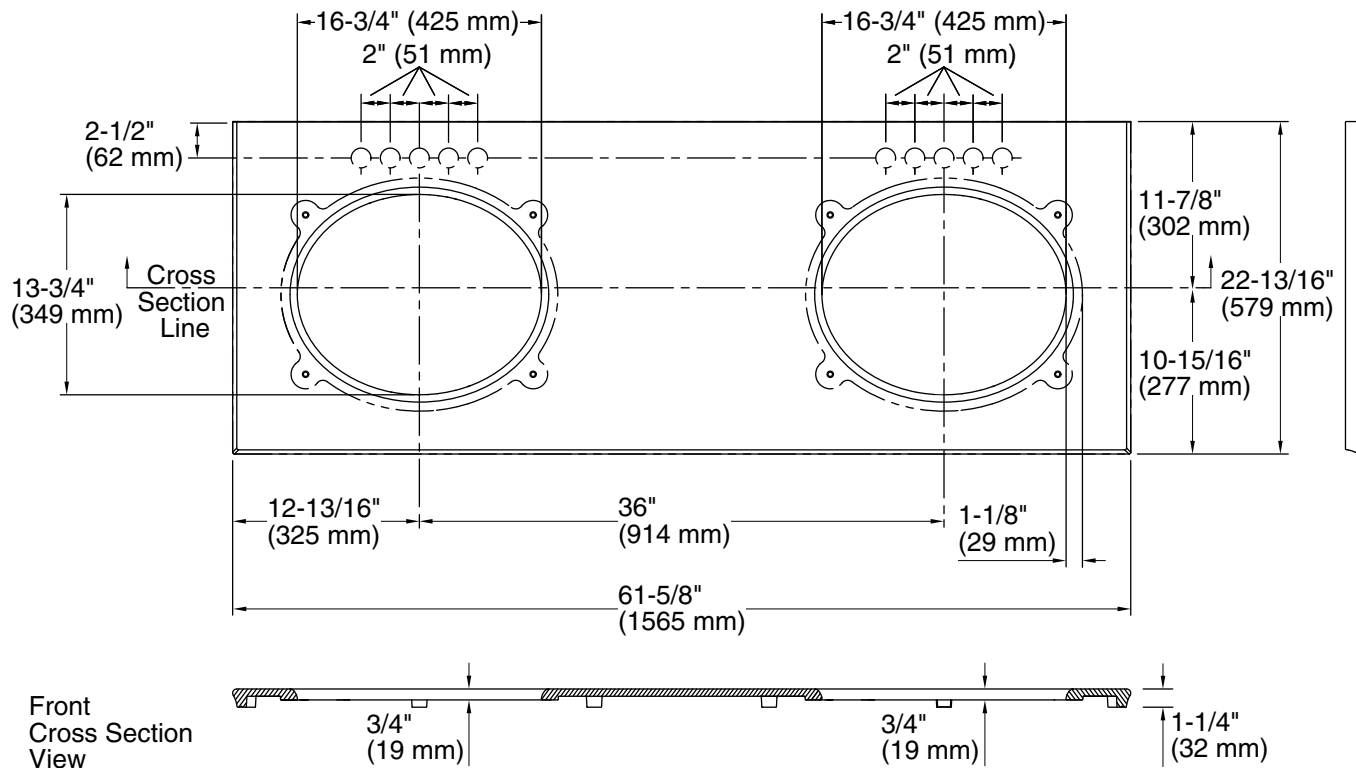


Codes/Standards

None Applicable

KOHLER® One-Year Limited Warranty

See website for detailed warranty information.



Technical Information

All product dimensions are nominal.

Basin configuration:	Equal Basins
Center(s):	8" (203 mm)
Bowl area (Basin #1):	Length: 16-3/4" (425 mm) Width: 13-3/4" (349 mm)
Bowl area (Basin #1):	Length: 16-3/4" (425 mm) Width: 13-3/4" (349 mm)
With overflow:	No

Notes

Install this product according to the installation instructions.

Observe all local plumbing and building codes. This countertop is designed to be installed with a KOHLER or standard-size vanity.

Faucet hole and sink-mounting locations are marked on the underside of the countertop.