



Solid/Expressions®

73" vanity top with double Verticyl® rectangular cutout
K-5462

Features

- Pairs with KOHLER Verticyl rectangular under-mount bathroom sinks
- Pilot holes for 4" (102 mm) centerset, 8" (203 mm) widespread, or single-hole faucet installation
- Sculpted edge
- Field trimmable for alcove and corner installations
- Optional side and backsplashes available (sold separately)

Material

- Solid surface

Installation

- Vanity top
- Includes mounting hardware for sinks
- Accommodates single, 4" centerset, and 8" widespread faucet configurations

Required Products/Accessories

K-2882 19-3/4" rectangular undermount bathroom sink

Recommended Products/Accessories

K-23723 Faucet cleaner

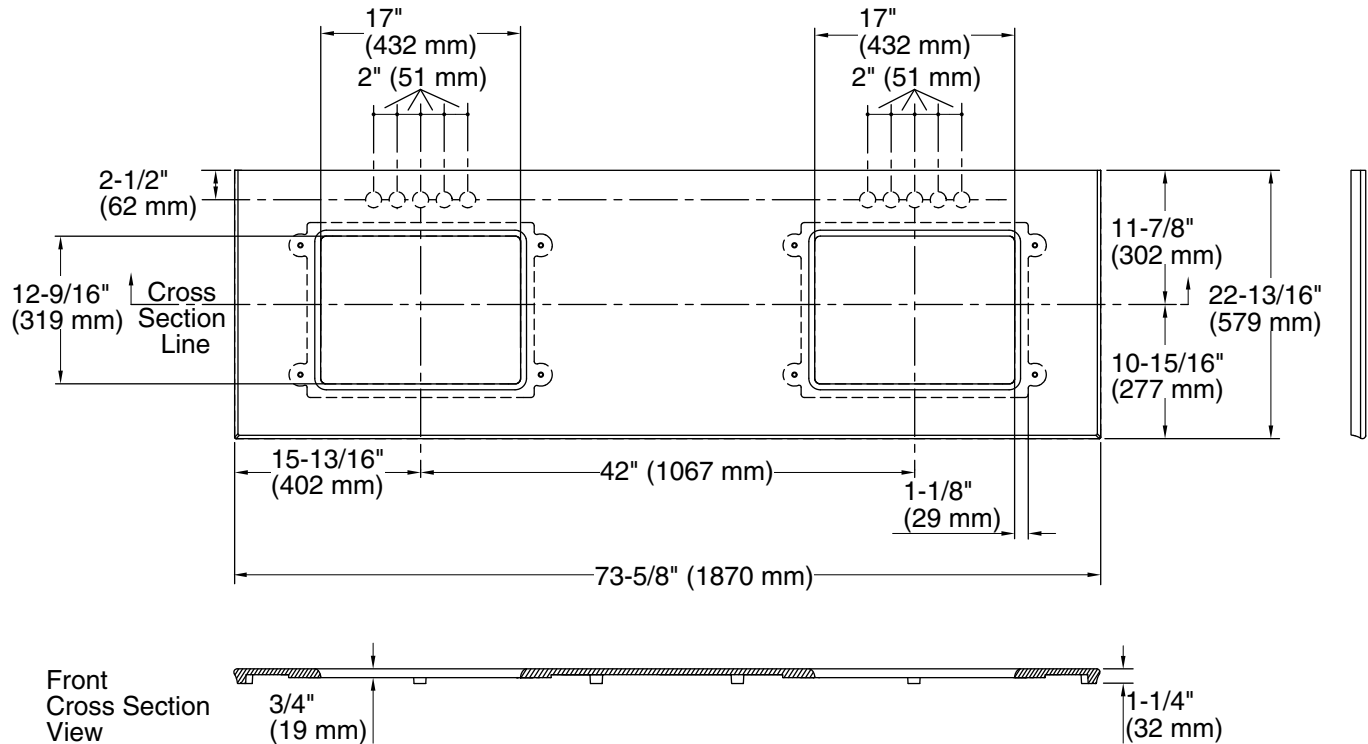


Codes/Standards

None Applicable

KOHLER® One-Year Limited Warranty

See website for detailed warranty information.



Technical Information

All product dimensions are nominal.

Bowl configuration:	Double equal
Bowl area (Right):	Length: 17" (432 mm) Width: 12-9/16" (319 mm)
Bowl area (Left):	Length: 17" (432 mm) Width: 12-9/16" (319 mm)

Notes

- Install this product according to the installation instructions.
- Observe all local plumbing and building codes.
- This countertop is designed to be installed with a KOHLER or standard-size vanity.
- Faucet hole and sink-mounting locations are marked on the underside of the countertop.