

Features

- Single bowl
- 11" depth provides generous workspace
- Includes bamboo cutting board, two multipurpose grated racks, colander, and wash bin
- Three graduated ledges in basin allow you to place accessories at your preferred height
- Accessories stack and slide on ledges for a custom arrangement
- Beveled cone-shape bowl slopes into drain, easily disposing debris
- Medium size cutting board (10"x16") included with sink - covers 1/3 of sink
- 36" (914 mm) minimum base cabinet width
- Also available: Large size cutting board 21"x16" – covers 2/3 sink
- Includes installation hardware

Material

- Premium 18-gauge stainless steel

Installation

- Undermount

Required Products/Accessories

K-11352 Disposal Flange with Stopper

or

K-8801 Sink drain and strainer with tailpiece

Recommended Products/Accessories

K-23729 Stainless steel cleaner

K-23726 Drain treatment

Included Components

K-5541 Bamboo Cutting Board

K-5542 Multipurpose grated rack

K-5544 Colander and wash bin



Codes/Standards

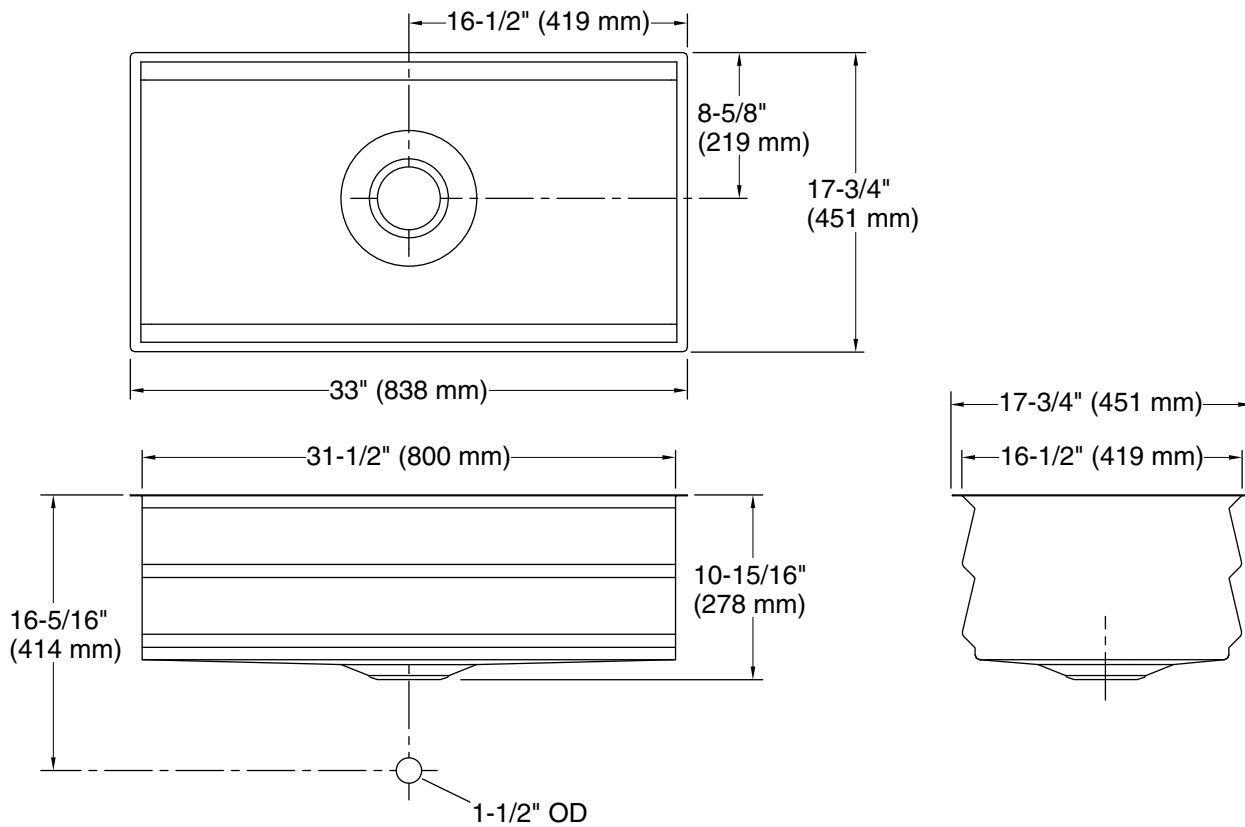
ASME A112.19.3/CSA B45.4

IAPMO Certification

KOHLER® Stainless Steel Sinks

Lifetime Limited Warranty

See website for detailed warranty information.



Technical Information

All product dimensions are nominal.

Basin configuration: Single Bowl
 Min. base cabinet width: 36" (914 mm)

Bowl area (Only): Length: 31-1/2" (800 mm)
 Width: 16-1/2" (419 mm)
 Bowl depth: 10" (254 mm)
 Water depth: 10" (254 mm)

Drain hole: 3-3/4" (94 mm)

Template: 1093327-7, required, included

Notes

Install this product according to the installation instructions.