



Ballad™
31-1/2" undermount double-bowl kitchen sink
K-5691

Features

- 36" minimum base cabinet width
- Large/medium bowls
- 9" (229 mm) depth provides generous workspace
- Includes installation hardware

Material

- Premium 18-gauge stainless steel

Installation

- Undermount

Recommended Products/Accessories

- 11862 Sink Rack
- 11863 Sink Rack
- K-8801 Sink drain and strainer with tailpiece
- K-8799 Sink drain and strainer basket
- K-23726 Drain treatment
- K-23729 Stainless steel cleaner

Optional Products/Accessories

- K-11352 Disposal Flange with Stopper

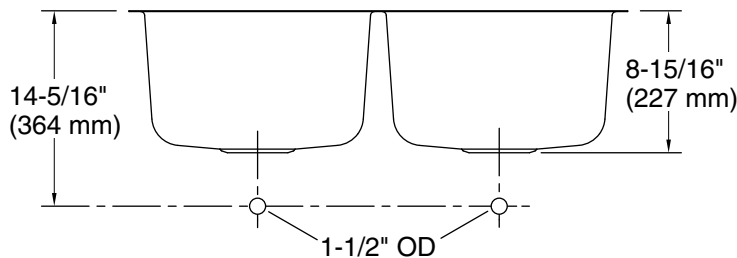
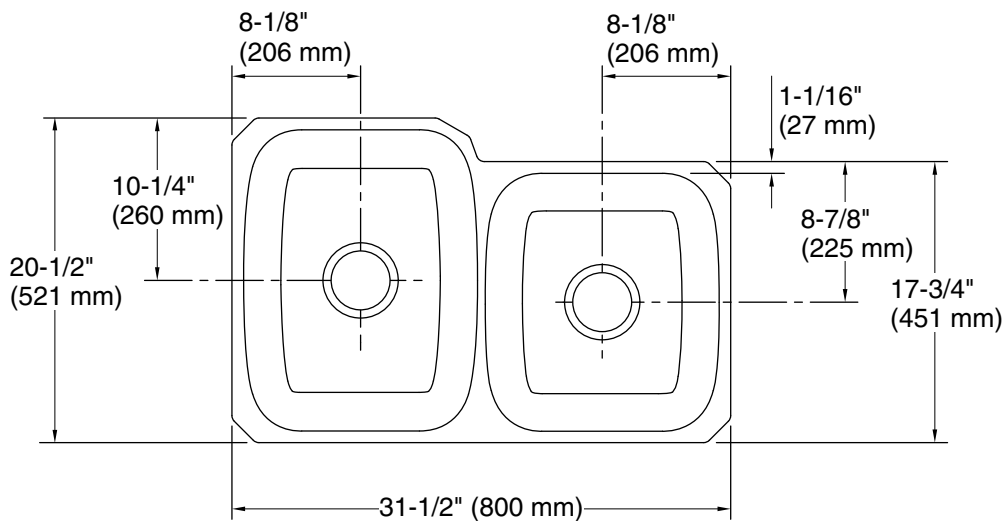


Codes/Standards

- ASME A112.19.3/CSA B45.4
- IAPMO Certification

**KOHLER® Stainless Steel Sinks
Lifetime Limited Warranty**

See website for detailed warranty information.



Technical Information

All product dimensions are nominal.

Basin configuration: Large Bowl on Left

Min. base cabinet width: 36" (914 mm)

Bowl area (Left): Length: 14-3/16" (360 mm)
 Width: 18-7/16" (468 mm)
 Bowl depth: 8-11/16" (221 mm)
 Water depth: 8-11/16" (221 mm)

Bowl area (Right): Length: 14-3/16" (360 mm)
 Width: 15-11/16" (398 mm)
 Bowl depth: 8-11/16" (221 mm)
 Water depth: 8-11/16" (221 mm)

Drain hole: 3-5/8" (92 mm)

Template: Under-mount, 1357118-7, required, not included

Notes

Install this product according to the installation instructions.

NOTICE: Countertop manufacturer or cutter must use the current product template available at www.kohler.com, or by calling 1-800-4KOHLER. Kohler Co. is not responsible for cut-out errors when the incorrect cutout template is used.